

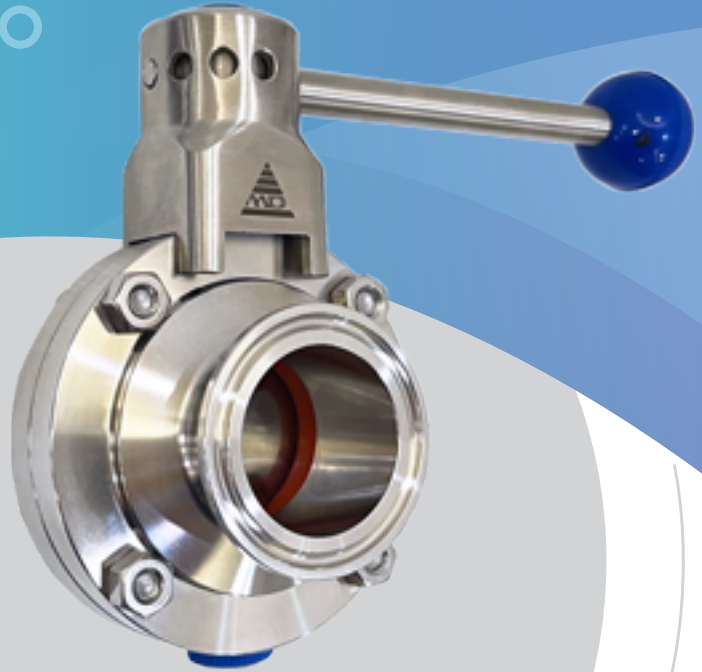


SANITARY BUTTERFLY VALVE

BPE USA STANDARD / DIN 11850 STANDARD / ISO 1127 STANDARD / 3A STANDARD



ACTUATED BUTTERFLY VALVE

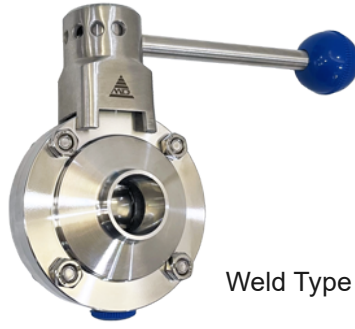


BUTTERFLY VALVE CLAMP

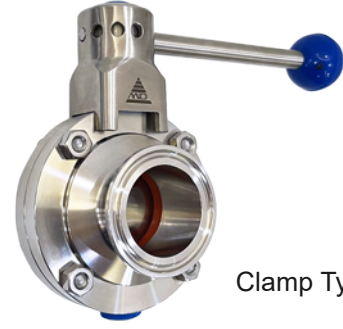


BUTTERFLY VALVE WELD

SANITARY BUTTERFLY VALVE



Weld Type



Clamp Type

Model BV-300

Pressure

- 4 Bar Air to Air, Full Open and Close
- 5.5 Bar Air to Spring, Full Open and Close
- Size 1" to 4"

Connection

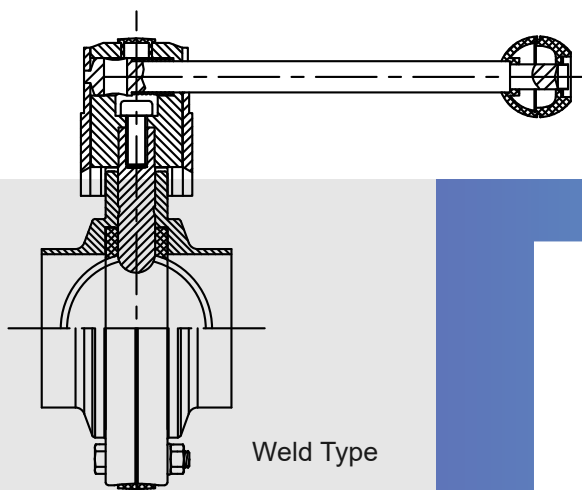
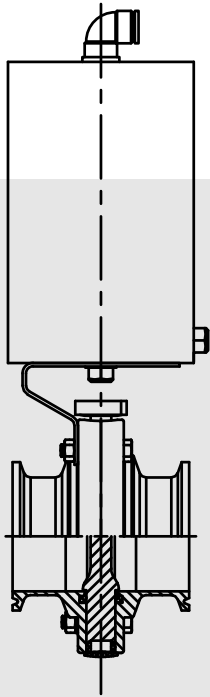
Clamp, Butt-Weld

Pressure

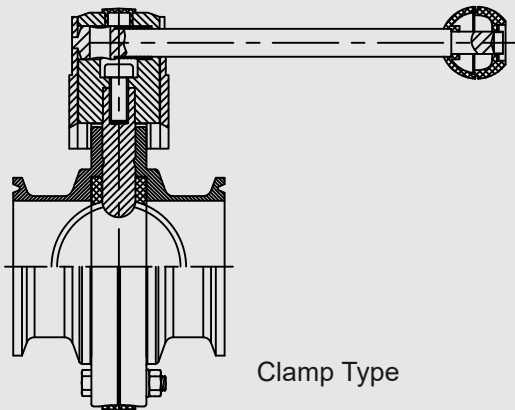
1" ~ 4" 10 Barg at 20°C

Temperature Range

-15°F to 200°F (-10°C to 95°C)



Weld Type



Clamp Type



Regular Handle 4 Stage



Regular Handle 12 Stage



MODENTIC INDUSTRIAL CORPORATION

No. 9, Wugong 6th Rd., Wufeng Dist.,
Taichung City 413, Taiwan (R.O.C.)

TEL : +886-4-23317777 FAX : +886-4-23317771

E-Mail : md_sales@ms.modentic.com.tw

<http://www.kevinsteel.com.tw>
<http://www.modentic.com.tw>
<http://www.valvebus.com>