

**Fig No. MD-22J-150**

1-1/2" - 10" (DN40- DN250)



**Feature :**

- Investment Casting Component
- ISO 5211 mounting flange
- Blow-out-proof stem, Anti-Static Design
- For General Chemical and Industrial application
- Cast Bosses For Bleed / Drain Port.

**Standard Compliance:**

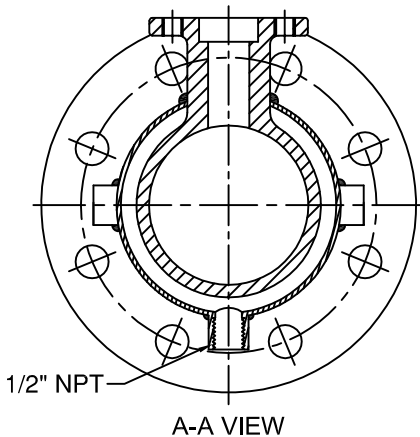
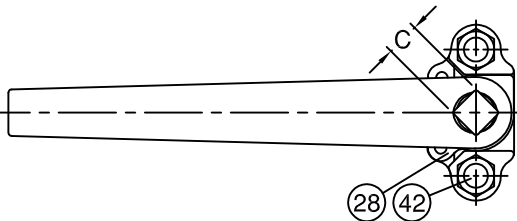
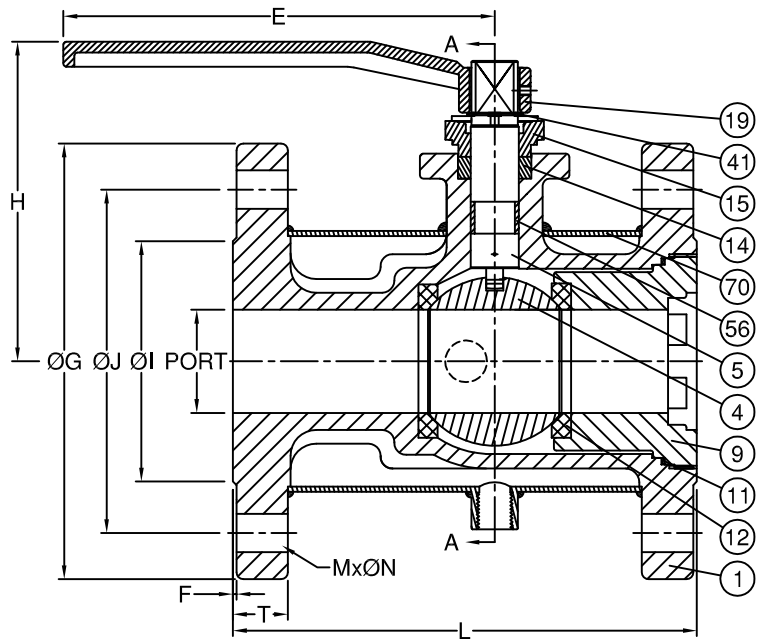
- Design : B16.34
- Face to face : MFG Standard
- Flange dimension : ANSI Class 150 RF
- Body Material : CF8M
- Pressure testing : EN 12266-1/ API 598

**Specifications :**

- End connection : Flange RF
- Working pressure : 275 psi ( CWP)
- Temperature : -20 ~220°C

**MATERIALS LIST**

NO.	PART NAME	MATERIAL
1	BODY	ASTM A351 Gr.CF8M
4	BALL	ASTM A351 Gr.CF8M
5	STEM	SS316
9	INSERT CAP	ASTM A351 Gr.CF8M
11	BODY SEAL	50%PTFE.+50%S.S.
12	SEAT	50%PTFE.+50%S.S.
14	STEM PACKING	50%PTFE.+50%S.S.
15	GLAND	ASTM A351 Gr.CF8M
19	HANDLE	FCD45
28	STOP PLATE	SS304
41	SNAP RING	SS304
42	GLAND BOLT	SS304
56	BEARING	50%PTFE.+50%S.S.
70	JACKET	SS304



**DIMENSIONS**

unit:mm

SIZE ( FLANGE x PORT )	PORT	L	E	H	C	ØG	ØJ	ØI	T	F	M	ØN	
DN40xDN15	1-1/2" x 1/2"	15	120	150	127	12	127	98.5	73	14.3	1.6	4	16
DN40xDN20	1-1/2" x 3/4"	20	120	150	133	12	127	98.5	73	14.3	1.6	4	16
DN50xDN25	2" x 1"	25	130	150	137	12	152	120.5	92	15.8	1.6	4	19
DN65xDN40	2-1/2" x 1-1/2"	40	165	200	155	17	178	139.5	105	17.5	1.6	4	19
DN80xDN50	3" x 2"	50	180	200	177	17	190	152.5	127	19.1	1.6	4	19
DN100xDN65	4" x 2-1/2"	65	190	300	184	21	229	190.5	157	23.9	1.6	8	19
DN125xDN80	5" x 3"	80	200	300	184	21	254	216.0	186	23.9	1.6	8	22
DN150xDN100	6" x 4"	100	230	300	235	21	279	241.5	216	25.4	1.6	8	22
DN250 X DN200	10" X 8"	200	450	515	340	32	406	362.0	324	30.2	1.6	12	25

**DIMENSIONS**

unit:inch

SIZE	PORT	L	E	H	C	ØG	ØJ	ØI	T	F	M	ØN	
DN40xDN15	1-1/2" x 1/2"	0.59	4.72	5.91	4.13	0.47	5.00	3.88	2.87	0.56	0.06	4	0.63
DN40xDN20	1-1/2" x 3/4"	0.79	4.72	5.91	4.13	0.47	5.00	3.88	2.87	0.56	0.06	4	0.63
DN50xDN25	2" x 1"	0.98	5.12	5.91	4.72	0.47	5.98	4.74	3.62	0.62	0.06	4	0.75
DN65xDN40	2-1/2" x 1-1/2"	1.57	6.50	9.45	5.12	0.67	7.01	5.49	4.13	0.69	0.06	4	0.75
DN80xDN50	3" x 2"	1.97	7.09	9.45	5.31	0.67	7.48	6.00	5.00	0.75	0.06	4	0.75
DN100xDN65	4" x 2-1/2"	2.56	7.48	12.60	6.50	0.83	9.02	7.50	6.18	0.94	0.06	8	0.75
DN125xDN80	5" x 3"	3.15	7.87	12.60	6.89	0.83	10.00	8.50	7.32	0.94	0.06	8	0.87
DN150xDN100	6" x 4"	3.94	9.06	15.75	8.66	0.83	10.98	9.51	8.50	1.00	0.06	8	0.87
DN200xDN250	8" x 10"	7.87	17.72	20.28	13.39	1.26	15.98	14.25	12.76	1.19	0.06	12	0.98

**Fig No. MD-22J- PN16**

1-1/2" - 8" (DN40- DN200)



**Feature :**

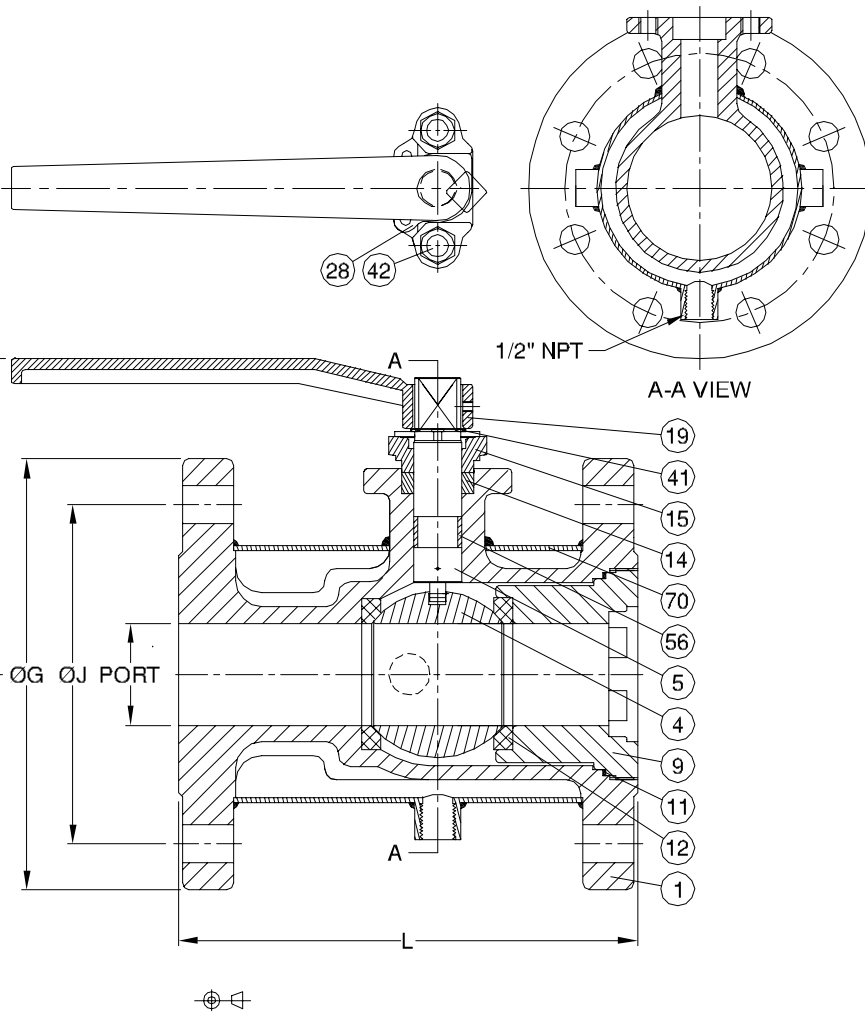
- Investment Casting Component
- ISO 5211 mounting flange
- Blow-out-proof stem, Anti-Static Design
- For General Chemical and Industrial application
- Cast Bosses For Bleed / Drain Port.

**Standard Compliance:**

- Design : B16.34
- Face to face : MFG Standard
- Flange dimension : DIN 1092-1 PN 16 RF
- Body Material : 1.4408
- Pressure testing : EN 12266-1/ API 598

**Specifications :**

- End connection : Flange RF
- Working pressure : 14.6 bar ( CWP )
- Temperature : -20 ~220°C



**MATERIALS LIST**

NO.	PART NAME	MATERIAL
1	BODY	1.0619 / EN1503-1
4	BALL	CF8M / EN1503-2
5	STEM	SS316
9	INSERT CAP	1.0619 / EN1503-1
11	BODY SEAL	50%PTFE, +50%S.S.
12	SEAT	50%PTFE, +50%S.S.
14	STEM PACKING	50%PTFE, +50%S.S.
15	GLAND	ASTM A351 Gr.Cf8M
19	HANDLE	FCD45
28	STOP PLATE	SS304
41	SNAP RING	SS304
42	GLAND BOLT	SS304
56	BEARING	50%PTFE, +50%S.S.
70	JACKET	SS304

**DIMENSIONS**

SIZE ( FLANGE x PORT)		PORT	L	H	ØG	ØJ
DN40xDN15	1-1/2" x 1/2"	15	120	130	150	110
DN40xDN20	1-1/2" x 3/4"	20	120	135	150	110
DN50xDN25	2" x 1"	25	130	140	165	125
DN65xDN40	2-1/2" x 1-1/2"	40	165	155	185	145
DN80xDN50	3" x 2"	50	180	180	200	160
DN100xDN65	4" x 2-1/2"	65	190	185	220	180
DN100xDN80	4" x 3"	80	203	185	220	180
DN125xDN80	5" x 3"	80	203	185	250	210
DN150xDN100	6" x 4"	100	230	235	285	240
DN200xDN150	8" x 6"	150	340	290	340	295

**Fig No. MD-22J-10K**

1-1/2" - 10" (DN40- DN250)



**Feature :**

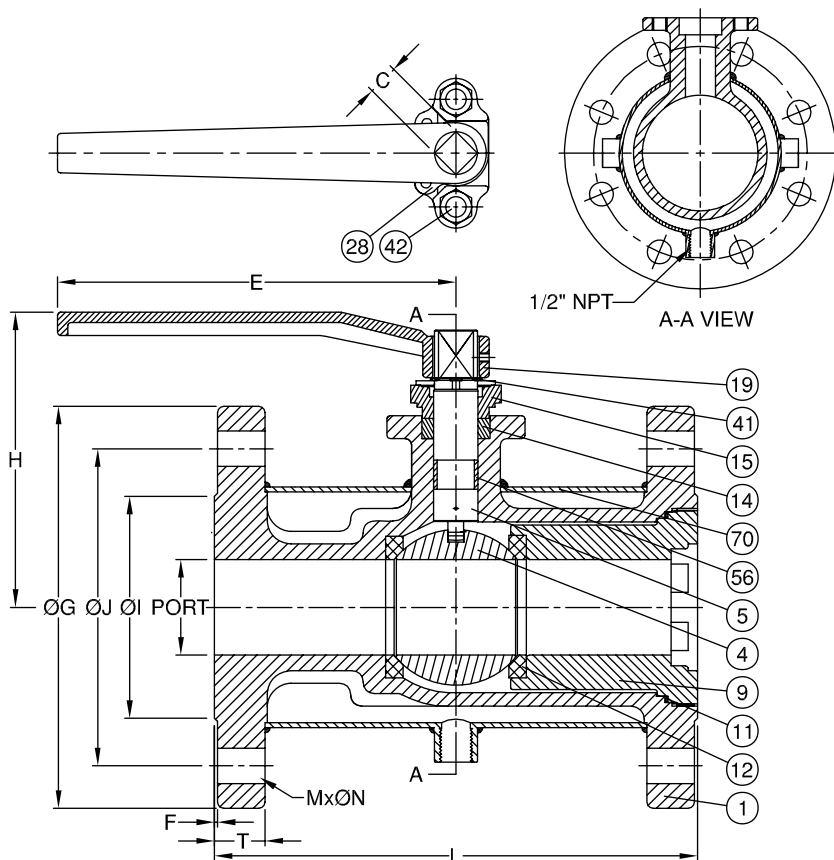
- Investment Casting Component
- ISO 5211 mounting flange
- Blow-out-proof stem, Anti-Static Design
- For General Chemical and Industrial application
- Cast Bosses For Bleed / Drain Port.

**Standard Compliance:**

- Design : B16.34
- Face to face : JIS B2002
- Flange dimension : JIS 2010
- Body Material : SCS 14A
- Pressure testing : EN 12266-1/ API 598

**Specifications :**

- End connection : Flange RF
- Working pressure : 10KGS ( CWP)
- Temperature : -20 ~220°C



**MATERIALS LIST**

NO.	PART NAME	MATERIAL
1	BODY	SCS14
4	BALL	ASTM A351 Gr.CF8M
5	STEM	SS316
9	INSERT CAP	SCS14
11	BODY SEAL	50%PTFE.+50%S.S.
12	SEAT	50%PTFE.+50%S.S.
14	STEM PACKING	50%PTFE.+50%S.S.
15	GLAND	ASTM A351 Gr.CF8M
19	HANDLE	FCD45
28	STOP PLATE	SS304
41	SNAP RING	SS304
42	GLAND BOLT	SS304
56	BEARING	50%PTFE.+50%S.S.
70	JACKET	SS304

**DIMENSIONS**

unit:mm

SIZE	PORT	L	E	H	C	OG
DN40xDN15	1-1/2" x 1/2"	15	120	150	127	140
DN40xDN20	1-1/2" x 3/4"	20	120	150	133	140
DN50xDN25	2" x 1"	25	130	150	137	155
DN65xDN40	2-1/2" x 1-1/2"	40	165	240	155	175
DN80xDN50	3" x 2"	50	180	240	177	185
DN100xDN65	4" x 2-1/2"	65	190	320	184	210
DN125xDN80	5" x 3"	80	200	320	184	250
DN150xDN100	6" x 4"	100	230	400	235	280
DN250xDN150	10" x 6"	150	340	515	280	400

SIZE	OJ	OI	T	F	M	ON
DN40xDN15	1-1/2" x 1/2"	105	85	16	2.0	4
DN40xDN20	1-1/2" x 3/4"	105	85	16	2.0	4
DN50xDN25	2" x 1"	120	100	16	2.0	4
DN65xDN40	2-1/2" x 1-1/2"	140	120	18	2.0	4
DN80xDN50	3" x 2"	150	130	18	2.0	8
DN100xDN65	4" x 2-1/2"	175	155	18	2.0	8
DN125xDN80	5" x 3"	210	185	20	2.0	8
DN150xDN100	6" x 4"	240	215	22	2.0	8
DN250xDN150	10" x 6"	355	325	24	2.0	12