



MODENTIC



ATEX II 2GD



0343



Certificate: 0038/PED/SHA/6013557/A



Certificate: TWN6013557



CRN
CERTIFICATED

Class 150 - 2500

Fire Safe Ball Valves

Soft / Metal Seated Ball Valves

Fugitive Emission Ball Valves

High & Low Temperature

Super Alloy Valves

High Purity Ball Valves

API 603/600 Gate/Globe/Check Valves



VALVES



<http://www.Modentic.com.tw>

<http://www.ValveBus.com>



Modentic Industrial Corp.

Partner with Modentic, you have chosen the reliable company of the valve design and engineering, we guarantee the durability and consistent quality of our products, The manufacturing documentation are always provided very detailed to ensure the traceability and easy maintenance, you never have to worry about the products do not perform as expected. We want you to be a lifelong partner of our dedicated work team, and we welcome your feedback about our performance all the time, which is an important extra value for our company.

CONTENTS

Products support the needs of local & overseas users in more than 50 countries of the world. Based on the management philosophy of “Best Delivery, Service & Quality”. Modentic sets the pace to ensure customer’s satisfaction.

Range of Service:

- Super Alloy Valves 1/2” - 12”
- API 607 Fire Safe Approved Ball Valves 1/2” - 32”
- Fugitive Emission Ball Valves 1/2” - 12”
- Metal Seated Ball Valves 1/2” - 16”
- High Pressure Ball Valves 1/2” - 2”
- V-Flow Ball Valves 1/4” - 6”
- High Purity Ball Valves / Sanitary Ball Valves 1/2” - 4”
- Electric Automation Valves
- Pneumatic Automation Valves
- Floating Flanged Ball Valves 1/2” - 12”
- Trunnion Mounted Ball Valves 2” - 36”
- Screwed Ball Valves 1/4” - 4”
- S.S. Screwed Gate, Globe, and Check Valves 1/4” - 3”
- S.S. Flanged Gate, Globe, and Check Valves 1/2” - 24”
- C.S. Flanged Gate, Globe, and Check Valves 2” - 48”
- Strainers 1/2” - 16”
- Needle Valves 1/8” - 1”



**ALL PRODUCTS SUPPLIED BY
MODENTIC ARE UNDER
PRODUCTS LIABILITY INSURANCE.**





Index

- ◆ CERTIFICATE.....p.1
- ◆ SUPER ALLOY VALVES.....p.2
- ◆ SUPER ALLOY VALVES MATERIAL LIST.....p.3
- ◆ HIGH PURITY BALL VALVES.....p.4-6
- ◆ FIRE SAFE APPROVED BALL VALVES.....p.7-8
- ◆ FUGITIVE EMISSION APPROVED BALL VALVES.....p.9
- ◆ V-FLOW BALL VALVES.....p.10-11
- ◆ SANITARY BALL VALVES.....p.12
- ◆ METAL SEATED BALL VALVES.....p.13
- ◆ HIGH PRESSURE BALL VALVES.....p.14
- ◆ GENERAL SCREWED END BALL VALVES.....p.15-17
- ◆ TWO WAY TWO PIECES FLANGED BALL VALVES.....p.18-19
- ◆ MULTI WAY BALL VALVES - SCREWED/SOCKET WELD/BUTT WELD END.....p.20
- ◆ MULTI WAY FLANGED BALL VALVES.....p.21
- ◆ CHECK VALVES • FLANGED STRAINER.....p.22
- ◆ SCREWED END GATE • GLOBE • CHECK • NEEDLE VALVES AND STRAINERS.....p.23
- ◆ PNEUMATIC AND ELECTRIC ACTUATED VALVES.....p.24



ISO 9001



PED

CRN



API 607 Fire Safe Approved



CERTIFICATION

MODENTIC www.modentic.com.tw

Products Liability Insurance | ISO 9001 | CRN | TA-LUFT | PED | ABS | ATEX | ISO 15848-1
API 607 4th, 5th, 6th / ISO 10497 / BS 6755 Part II Fire Safe Approved



ABS



ATEX



ISO 10497 (Screwed Ball Valves)



ISO 10497 (Flanged Ball Valves)



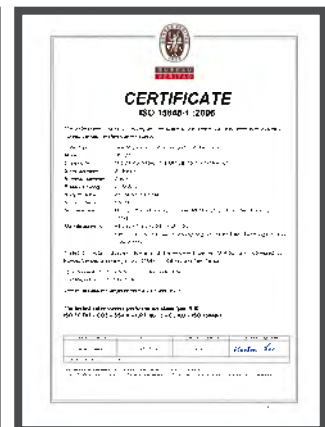
TA-LUFT (Screwed Ball Valves)



TA-LUFT (Flanged Ball Valves)



ISO 15848-1





SUPER ALLOY BALL VALVES

Alloy 20 / Hastelloy® C / Duplex 4A / Super Duplex 5A / Monel® / SS904L / Titanium

2-WAY CASTING BALL VALVES



V-255

3-PIECE BODY DESIGN
2000 / 1500 PSI
8 Bolts Design
1/4" ~ 2" (DN8 ~ DN50)
Threaded End
Socket Weld End
Butt Weld End



V-655

3-PIECE BODY DESIGN
ISO 5211 Direct Mounting Flange
2000 / 1500 / 1000 PSI
8 Bolts Design
1/4" ~ 4" (DN8 ~ DN100)
Threaded End
Socket Weld End
Butt Weld End



MD-32

2-PIECE BODY DESIGN
ANSI Class 150/300/600
PN16/40
1/2" ~ 6" (DN15 ~ DN150)
Flanged End

2-WAY BAR MATERIAL BALL VALVES



V-C06

2-PIECE BODY DESIGN
1000 PSI
1/2" ~ 2" (DN15 ~ DN50)
Threaded End
Socket Weld End



V-C05

3-PIECE BODY DESIGN
1000 PSI
1/2" ~ 2" (DN15 ~ DN50)
Threaded End
Socket Weld End
Butt Weld End



HPV-40/41

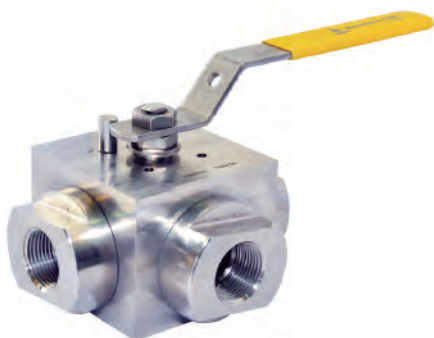
3-PIECE BODY DESIGN
3000 PSI as HPV-40
6000 PSI as HPV-41
1/4" ~ 2" (DN8 ~ DN50)
Threaded End
Socket Weld End
Butt Weld End



MD-C2

2-PIECE BODY DESIGN
ANSI Class 150
1/2" ~ 2" (DN15 ~ DN50)
Flanged End

3-WAY BALL VALVES



MD-310
Bar Material

OTHERS

Needle Valve



NV-0070



NV-0060



NV-0061



SUPER ALLOY VALVES MATERIAL LIST

Other alloy materials can be offered upon request

Material Chart

Material Code	Elements Content (%)	Casting		
		ASTM	DIN	UNS
Austenitic Stainless Steel				
General				
SS304	19Cr-9Ni	CF8	1.4308	J92600
SS304L	19Cr-9Ni-C<0.03%	CF3	1.4306	J92500
SS347	19Cr-10Ni-Nb	CF8C	1.4552	J92710
Specific				
SS316	19Cr-10Ni-2.5Mo	CF8M	1.4408	J92900
SS316L	19Cr-10Ni-2.5Mo-C<0.03%	CF3M	1.4404	J92800
SS317	19Cr-11Ni-3.5Mo	CG8M	1.4437	J93000
SS317L	19Cr-11Ni-3.5Mo-C<0.03%	CG3M	1.4438	J92999
Super Austenitic Stainless Steel				
904L	21Cr-25Ni-4.5Mo-1.5Cu-N	-	1.4539	-
254 SMO	20Cr-18Ni-6.5Mo-Cu-N	A351 CK3MCuN	1.4547	J93254
Highly Corrosion-Resistant Alloy				
Austenitic Stainless Steel (Iron base)				
Alloy 20	29Ni-20Cr-3.5Cu-2.5Mo	A351 CN7M	2.4660	J95150
Ni-Mo Alloy				
Hastelloy® B	28Mo-5Fe-V	A494 N-12M	2.4880	N30012
Hastelloy® B2	28Mo-1Fe	A494 N-7	2.4617	N30007
Ni-Cr-Mo Alloy				
Hastelloy® C276	16Cr-17Mo-6Fe-4W-V	A494 CW12MW	2.4686	N30002
Hastelloy® C22	21Cr-13.5Mo-4Fe-3W	A494 CX2MW	2.4602	N26022
Ni-Cu Alloy				
Monel® 400	65Ni-32Cu	A494 M35-1	2.4365	N24135
Nickel				
Nickel CZ100	97Ni	A494 CZ-100	2.4066	N02100
Titanium				
Grade 2	99Ti	B367 C2		
Grade 5	6Al-4V	B367 C5		
High Temperature Alloy (Nickel base)				
Inconel® 600	15C-8Fe	A494 CY-40	2.4816	N06040
Inconel® 625	22Cr-9Mo-3.5Nb-2.5Fe	A494 CW6MC	2.4856	N26625
Duplex Stainless Steel				
1A	25Cr-5Ni-2Mo-3Cu	A890 Gr.1A CD4MCu	1.4517	J93370
1B	25Cr-5Ni-2Mo-3Cu-N	A890 Gr.1B CD4MCuN		J93372
2A	24Cr-10Ni-3.5Mo-N	A995 Gr.2A CE8MN		J93345
2205/4A	22Cr-5Ni-3Mo-N	A995 Gr.4A CD3MN	1.4470	J92205
Super Duplex Stainless Steel				
2507/5A	25Cr-7Ni-4Mo-N	A995 Gr.5A CE3MN	1.4469	J93404
Z100/6A	25Cr-7Ni-3.5Mo-Cu-N-W	A890 Gr.6A CD3MWCuN	1.4471	J93380
329	25Cr-4Ni-Mo		1.4460	



HIGH PURITY (BPE / ISO / DIN) BALL VALVES

1. TFM1600 Seal with USP Approved / FDA Standard
2. Sulfur Content 0.005 - 0.017% / Ferrite Content less than 3%
3. Bar (SS316L) / CAST (CF3M)
4. HASTEALLOY® C upon request

MD-928EB / TC

Tube End



Tri - Clamp End



Design Feature

- Tube Bore
- 1/2" - 4" (DN15 - DN100)
- Design as per ANSI B16.34 / BPE
- Blow-Out-Proof Stem Design
- ISO 5211 Direct Mounting Flange
- End Connection : Tri-Clamp, BPE / ISO / DIN Ext. Tube End
- Option : Cavity Filled Seat, Extended Stem, Purge Port, Anti-Static Device

Body	ASTM A351 Gr.CF3M
Ball / Stem	ASTM A351 Gr.CF3M / SS316L
Seat	TFM1600
Temperature Range	-40 to 356 °F (-40 to 180 °C)
Working Pressure	1/2" - 2" 1000PSI (PN63) 2 1/2" - 4" 720PSI (PN40)

V-255EB / TC

Tube End



Tri - Clamp End

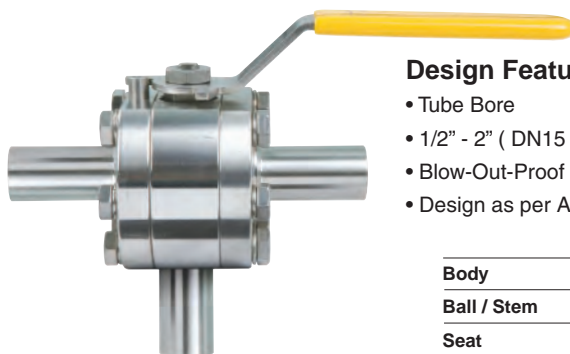


Design Feature

- Tube Bore
- 1/2" - 2" (DN15 - DN50)
- Design as per ANSI B16.34 / BPE
- Blow-Out-Proof Stem Design
- ISO 5211 Mounting Flange
- End Connection : Tri-Clamp, BPE / ISO / DIN Ext. Tube End
- Option : Cavity Filled Seat, Extended Stem, Purge Port, Anti-Static Device

Body	ASTM A351 Gr.CF3M
Ball / Stem	ASTM A351 Gr.CF3M / SS316L
Seat	TFM1600
Temperature Range	-40 to 356 °F (-40 to 180 °C)
Working Pressure	1/2" - 2" 1000PSI (PN63)

MD-938 • MD-968



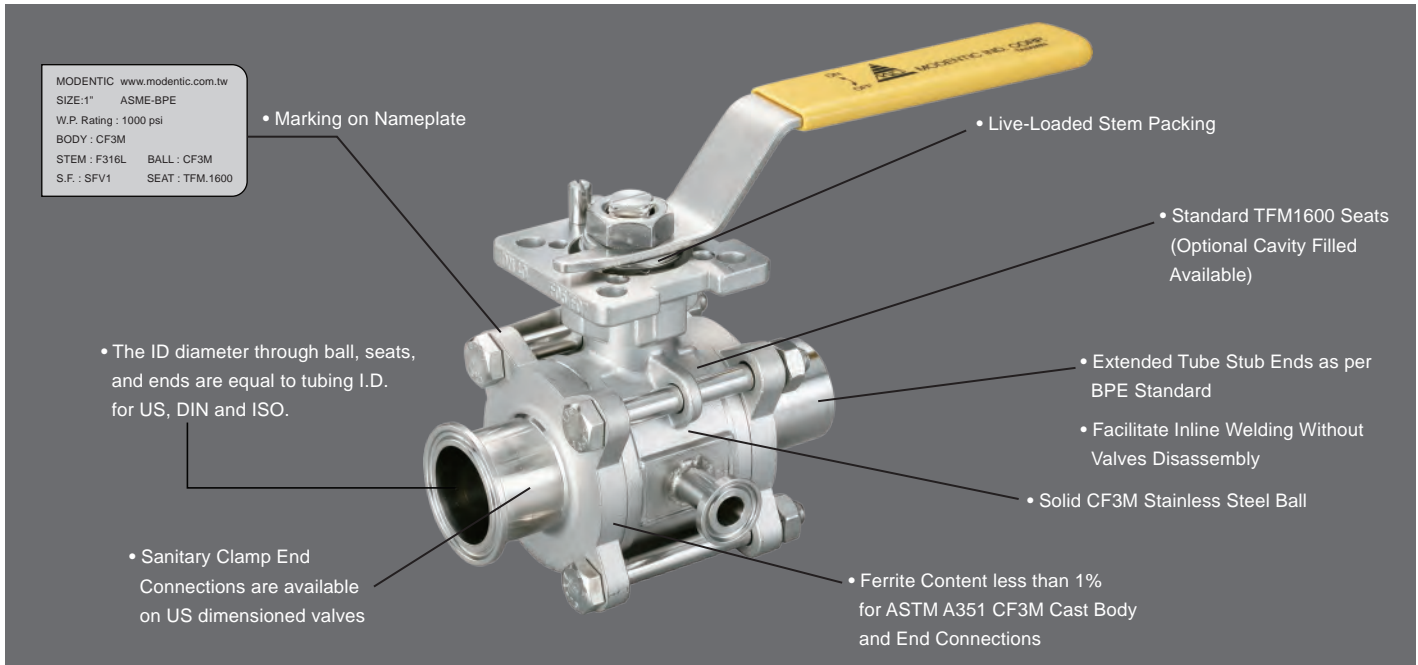
Design Feature

- Tube Bore
- 1/2" - 2" (DN15 - DN50)
- Blow-Out-Proof Stem Design
- Design as per ANSI B16.34 / BPE
- ISO 5211 Mounting Flange
- End Connection : Tri-Clamp / (BPE / ISO / DIN) Ext. Tube End

Body	ANSI 316L (bar material)
Ball / Stem	CF3M / SS316L
Seat	TFM1600
Temperature Range	-40 to 356 °F (-40 to 180 °C)
Working Pressure	1/2" - 2" 1500PSI (PN100)



We Offer Both Cast Ball Valves & Bar Material Ball Valves.



Metallic Materials of Construction

Available in both forged and cast pieces of stainless steel, all wetted metallic surfaces of clean ball valves are constructed from stainless steel, which are capable of withstanding the temperature, pressure, and chemical corrosiveness assuring the purity and integrity of the products. In addition to SS316L and CF3M; higher grade materials are available upon request, such as AL-6XN, Nickel Alloys, Stainless Steel Duplex.

• Low Ferrite Content

Because ferrite in process piping promotes roughing, especially in the weld, so users should always choose the equipment with low ferrite, Modentic controls metal parts with low ferrite content less than 3% or 1% upon request.

• Tube Connection Feature to Facilitate Automatic Orbital Welding

- ◆ ASME BPE compliant extended tube so that welding can be performed without valve disassembled, tangent lengths furnished to standard ASME/BPE table DT-4.
- ◆ Sulfur content on tube ends 0.005%~.0.017% to ensure consistent weldability. Chemical composition for automatic weld end furnished to ASME BPE-Part DT-3.

• Hygienic Clamp End In Accordance With US Dimensions

• Tube Bore Design

To minimize the pressure drops and to facilitate the drainability, the concept of uninterrupted flow tube bore feature is designed throughout the flow path tube bore feature is designed throughout the flow path including ball, seats and end connections.

• Seat & Seals

All nonmetallic material chosen are FDA 21 CFR 177/USP23 Class VI compliant-ASME/BPE SD-3.4.2; Design according to SD-3.6.1, SG-4.1.1.6, SG-4.1.1.8

*** Cavity filler seats are available upon request (not recommended for steam service)**

• Surface Finish

This is one of the major characteristic addressed to high purity equipment. ASME/BPE provide criteria of product contact surface finished for bioprocessing equipment the standard internal surface finish for Modentic high purity ball valves are mechanical polished to Ra20(0.5um), ASME/BPE SFV1; finer grade of surface treatment can be accomplished by electro-polished to achieve SF4 Ra15(0.38um).

• Temperature Rating : -40°C~180°C (-40°F~356°F)

• Pressure Rating:

- ◆ 1/2" - 2" 1000PSI (PN63)
- ◆ 2 1/2" - 4" 720PSI (PN40)
- ◆ Steam Puressure of 150 Psig at 350°F

• Purge Port (upon the users' request)

For C.I.P. or S.I.P. application, valves have body and end piece bosses for ports.

Purge Port Type and Size are provided as per following

- ◆ Valve size 1 1/2" and less 1/4" female compression fitting
- ◆ Valve size 2" and upper 1/2" female compression fitting

• ISO 5211 Intergral Actuator Mounting Pad Design

• Packing

Modentic high purity ball valves are finally tested and packed in a clean environment. Each valves is protected with end caps, and sealed in a transparent plastic bag.

Benefits of Bar Machined Valves

- ◆ Lower Porosity and smoother Surfaces that can reduce surface contamination
- ◆ Stronger Corrosion Resistance

Benefits of Cast Valves

- ◆ Lower Cost
- ◆ Small batches of production acceptable

Automation Ball Valves

Modentic helps you to mount automation devices for your ball valves, include actuators, limit switch box; positioner.....for the need specific to the application.

•) Table Sf-5 Acceptance Criteria For Interior Surface Finishes of Valve Bodies

Anomaly of Indication	Acceptance Criteria
Cluster of pits	No more than 4 pits per each 1/2 in.x 1/2in. Inspection window. The cumulative total of all relevant pits shall not exceed 0.040in.
Demarcation	If <5% of the total area when visually inspected and Ra max. is met.
Dents	None accepted.
Grit lines	If Ra max. is met.
Nicks	If depth <0.010 in.
Pits	If diameter <0.020 in. and bottom is shiny. Pits <0.003 in. diameter are irrelevant and acceptable.
Porosity	If diameter <0.010 in. and bottom is shiny.
Scratched	If length <0.25in., depth<0.003in., and Ra max. is met.
Surface cracks	None accepted.
Surface inclusions	If Ra max. is met and there is no liquid penetrant indication.
Surface residuals	None accepted, visual inspection.
Surface roughness (Ra)	See Table SF-6.
Weld slag	None accepted.

Adupted from ASME/BPE-2005

•) Table Sf-6 RA Reading for Valves

Mechanically Polished [Note (1)]			
Surface Designation ASME BPE	Ra, Max.		
	μ-in.	μm	
SF1	20	0.51	
SF2	25	0.64	
SF3	30	0.76	

Mechanically Polished and Electropolished			
Surface Designation ASME BPE	Ra, Max.		
	μ-in.	μm	
SF4	15	0.38	
SF5	20	0.51	
SF6	25	0.64	

GENERAL NOTES:

- (a) All Ra reading are taken across the lay, wherever possible.
- (b) No Single Ra reading shall exceed the Ra max. value in this table.
- (c) Other Ra reading are avaiable if agreed upon between owner/suer and manufacturer, not to exceed values in this table.

NOTE:

(1) Or any other finishing methos that meets the Ra max.

•) Surface Roughness for Grit Finishes(Ra.)

Abrasive grit No.	Ra, Max.	
	μ-in.	μm
500	4 to 10	0.10 to 0.25
320	6 to 15	0.15 to 0.38
240	8 to 20	0.20 to 0.51
180	25 max	0.64 max
120	45 max	1.14 max
60	140 max	3.56 max

GRIT:

Measure the number of scarches per liner inch of abrasive pad. Higher numbers indicate a smoother finish.

RMS: Defined as Root Mean Square roughness, this method measure a smple for peaks and valleys. Lower number indicate a smoother finish.

Ra:Know as the Arithmetic Mean, this measurement represents the average value of all peaks and valleys. Lower numbers indicate a smooth finish.



FIRE SAFE CERTIFIED BALL VALVES - Flanged End

Class 150/300/600 / PN10/16/25/40 / 1/2" - 12" (DN15 - DN300)

MD-51FS-150/300

API 607 4th



Design Feature

- 1 Piece Body Design
- Reduced Bore
- 1/2" - 6" (DN15 - DN150)
- Blow-Out-Proof Stem Design
- Anti-Static Device
- ISO 5211 Mounting Flange
- ANSI B16.10 Class 150/300
- ANSI B16.5 Class 150/300 RF

Body	CF8M(1.4408) / WCB(1.0619)
Ball / Stem	CF8M / SS316
Seat	RTFE. (15% glass fiber filled)
Temperature Range	-4 to 356 °F (-20 to 180 °C)

MD-32-150/300/600 & PN40/16

API 607 6th / ISO 10497 / BS 6755 Part II



Design Feature

- 2 Pieces Body Design
- API 608 Design
- Full Bore
- 1/2" - 6" (DN15 - DN150)
- Blow-Out-Proof Stem Design
- Anti-Static Device
- ISO 5211 Mounting Flange
- ANSI B16.10 Class 150/300/600
DIN 3202 F4/F5, JIS B2002
- ANSI B16.5 Class 150/300/600 RF
EN1092-1 PN10/16/25/40 RF
JIS 2010 10K

Body	CF8M(1.4408) / WCB(1.0619)
Ball / Stem	CF8M / SS316
Seat	RTFE. (15% glass fiber filled)
Temperature Range	-4 to 356 °F (-20 to 180 °C)

MD-82-150/300

API 607 6th / ISO 10497 / BS 6755 Part II



Design Feature

- 2 Pieces Body Design
- Full Bore
- API 608 Design
- 1/2" - 12" (DN15 - DN300)
- Blow-Out-Proof Stem Design
- Anti-Static Device
- ISO 5211 Mounting Flange
- ANSI B16.10 Class 150/300
- ANSI B16.5 Class 150/300 RF

Body	CF8M / WCB
Ball / Stem	CF8M / SS316
Seat	RTFE. (15% glass fiber filled)
Temperature Range	-4 to 356 °F (-20 to 180 °C)

V-655

API 607 6th / ISO 10497 / BS 6755 Part II



Design Feature

- Full Bore
- 1/2" - 4" (DN15 - DN100)
- API 608 Design
- ISO 5211 Direct Mounting Flange
- Blow-Out-Proof Stem
- Anti-Static Device
- End Connection : Flanged End
- Face to Face : EN558-1 F1
- Flange Dim. : EN1092-1 PN16/40 RF

Body	CF8M (1.4408) / WCB (1.0619) / SPECIAL ALLOY
Ball	CF8M / SPECIAL ALLOY
Stem	SS316 / SPECIAL ALLOY
Seat	RTFE. / PTFE. / TFM1600
Temperature Range	-4 to 356 °F (-20 to 180 °C)

MD-28FS-150/300 & PN16/40

API 607 6th / ISO 10497 / BS 6755 Part II



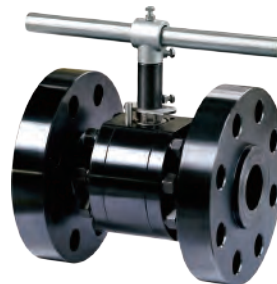
Design Feature

- 2 Pieces Body Design
- Full Bore
- API 608 Design
- 1/2" - 6" (DN15 - DN150)
- Blow-Out-Proof Stem Design
- Anti-Static Device
- ISO 5211 Direct Mounting Flange
- ANSI B16.10 Class 150/300,
DIN 3202 F1/F4
- ANSI B16.5 Class 150/300 RF
EN1092-1 PN10/16/25/40 RF

Body	CF8M(1.4408) / WCB(1.0619)
Ball / Stem	CF8M / SS316
Seat	RTFE. (15% glass fiber filled)
Temperature Range	-4 to 356 °F (-20 to 180 °C)

HPV-43FS

API 607 5th / ISO 10497-5 / BS 6755 Part II



Design Feature

- Blow-Out-Proof Stem Design
- Anti-Static Device
- ISO 5211 Mounting Flange
- ANSI B16.10 Class 1500/2500
- ANSI B16.5 Class 1500/2500 RTJ

Body	AISI 1045 / AISI 316 (bar Material)
Ball / Stem	CF8M / 17-4 PH
Seat	Delrin / Peek
Temperature Range	-4 to 176 °F (-20 to 80 °C) for Delrin -4 to 500 °F (-20 to 260 °C) for Peek



FIRE SAFE CERTIFIED BALL VALVES

1000/2000/3000/6000PSI / 1/4" ~ 4" (DN8 ~ DN100)

V-655

API 607 6th / ISO 10497 / BS 6755 Part II



Design Feature

- Full Bore, API 608 Design
- 8 Bolts Design
- 1/4" - 4" (DN8 - DN100)
- ISO 5211 Direct Mounting Flange
- Blow-Out-Proof Stem Design
- Anti-Static Device
- Handle With Locking Device
- End Connection : Threaded / Socket Weld / Butt Weld End

2000PSI • 1/4" - 1" (DN8 - DN25)
 1500PSI • 1-1/4" - 2" (DN32 - DN50)
 1000PSI • 2-1/2" - 4" (DN65 - DN100)

Body	CF8M (1.4408) / WCB (1.0619)
Ball / Stem	CF8M / SS316
Seat	RTFE. / PTFE.
Temperature Range	-4 to 356 °F (-20 to 180 °C)

V-255FS

API 607 6th / ISO 10497 / BS 6755 Part II



Design Feature

- API 608 Design
- 8 Bolts Design
- ABS Type Approval
- ANSI B16.34 Class 600 Design
- Blow-Out-Proof Stem Design
- Anti-Static Device
- Handle with Locking Device
- ISO 5211 Mounting Flange
- End Connection : Threaded, Socket Weld, Butt Weld End

V-255FS • Full Bore • 1/4" - 2" (DN8 - DN50)
 V-255FSA • Reduced Bore • 1/2" - 2 1/2" (DN15 - DN65)

Body	CF8M (1.4408) / WCB (1.0619)
Ball / Stem	CF8M / SS316
Seat	RTFE. (15% glass fiber filled)
Working Pressure	1/4" - 1" 2000PSI (PN140)
	1-1/4" - 2" 1500PSI (PN100)
Temperature Range	-4 to 356 °F (-20 to 180 °C)

V-755FS

API 607 6th / ISO 10497 / BS 6755 Part II



Design Feature

- ANSI B16.34 Class 600 Design
- Blow-Out-Proof Stem Design
- Anti-Static Device
- ISO 5211 Mounting Flange
- Forged Steel Components
- Handle with Locking Device
- End Connection : Threaded, Socket Weld, Butt Weld End

V-755FS • Full Bore • 1/2" - 2" (DN15 - DN50)
 V-755FSA • Reduced Bore • 1/2" - 2" (DN15 - DN50)

Body	ASTM A105 / F316
Ball / Stem	CF8M / SS316
Seat	RTFE. (15% glass fiber filled)
Working Pressure	1500PSI (PN100)
Temperature Range	-4 to 356 °F (-20 to 180 °C)

HPV-40 • HPV-41

API 607 5th / ISO 10497-5 / BS 6755 Part II



Design Feature

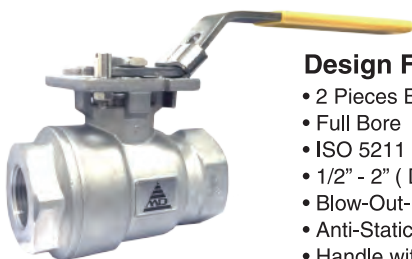
- 3 Pieces Body Design
- ISO 5211 Mounting Flange
- Blow-Out-Proof Stem Design
- Anti-Static Device
- Bar Material Body
- End Connection : Threaded, Socket Weld, Butt Weld End

HPV-40 3000PSI • Full Bore • 1/4" - 2" (DN8 - DN50)
 HPV-41 6000PSI • Full Bore • 1/4" - 2" (DN8 - DN50)
 HPV-40A 3000PSI • Reduced Bore • 1/4" - 2" (DN8 - DN50)
 HPV-41A 6000PSI • Reduced Bore • 1/4" - 2" (DN8 - DN50)

Body	AISI 1045 / AISI 316 (bar material)
Ball / Stem	CF8M / 17-4 PH
Seat	Derlin® / Peek
Temperature Range	-4 to 176 °F (-20 to 80 °C) for Derlin®
	-4 to 500 °F (-20 to 260 °C) for Peek

HPV-38

API 607 6th / ISO 10497 / BS 6755 Part II



Design Feature

- 2 Pieces Body Design
- Full Bore
- ISO 5211 Direct Mounting Flange
- 1/2" - 2" (DN15 - DN80)
- Blow-Out-Proof Stem Design
- Anti-Static Device
- Handle with Locking Device
- End Connection : Threaded End
- Seal Welding Body Design

Body	CF8M (1.4408) / WCB (1.0619)
Ball / Stem	CF8M / SS316
Seat	Derlin®+5%Carbon / Peek
Working Pressure	1/4" - 2" 3000PSI (PN210)
Temperature Range	-4 to 176 °F (-20 to 80 °C) for Derlin®
	-4 to 500 °F (-20 to 260 °C) for Peek

V-166FS

API 607 6th / ISO 10497 / BS 6755 Part II



Design Feature

- ANSI B16.34 Class 600 Design
- 2 Pieces Body Design
- Full Bore
- 1/4" - 2" (DN8 - DN50)
- Blow-Out-Proof Stem Design
- Face to Face : DIN 3202 M3
- Handle with Locking Device
- End Connection : Threaded End
- Seal Welding Body Design

Body	CF8M (1.4408) / WCB (1.0619)
Ball / Stem	CF8M / SS316
Seat	RTFE. (15% glass fiber filled)
Working Pressure	1/4" - 1" 2000PSI (PN140)
	1 1/4" - 2" 1500PSI (PN100)
Temperature Range	-4 to 356 °F (-20 to 180 °C)

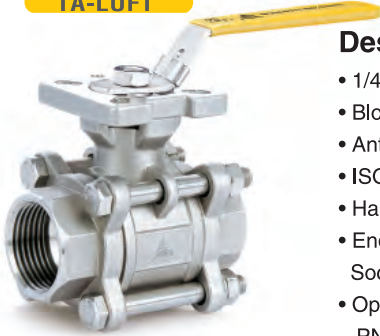


FUGITIVE EMISSION CERTIFIED BALL VALVES

TA-Luft / ISO 15848

V-158

TA-LUFT



Design Feature

- 1/4" - 4" (DN8 - DN100)
- Blow-Out-Proof Stem Design
- Anti-Static Device
- ISO 5211 Direct Mounting Flange
- Handle with Locking Device
- End Connection : Threaded, Socket Weld, Butt Weld End
- Option :
PN40 Flanged End for 1/2" - 2"
PN16 Flanged End for 2 1/2" - 4"

Body	CF8M (1.4408) / WCB (1.0619)
Ball / Stem	CF8M / SS316
Seat	RTFE. / PTFE.
Working Pressure	1/2" - 2" 1000PSI (PN63) 2 1/2" - 4" 800PSI (PN40)

MD-28

TA-LUFT / ISO 15848-1



Design Feature

- Full Bore, API 608 Design
- 1/2" - 6" (DN15 - DN150)
- Blow-Out-Proof Stem Design
- Anti-Static Device
- ISO 5211 Direct Mounting Flange
- ANSI B16.10 Class 150/300, DIN 3202 F1/F4/F5, JIS B2002
- ANSI B16.5 Class 150/300 RF, EN1092-1 PN10/16/25/40 RF, JIS 2010 10K/20K

Body	CF8M (1.4408) / WCB (1.0619)
Ball / Stem	CF8M / SS316
Seat	RTFE. / PTFE.
Temperature Range	-4 to 356 °F (-20 to 180 °C)

MD-32

TA-LUFT / ISO 15848-1



Design Feature

- Full Bore, API 608 Design
- 1/2" - 8" (DN15 - DN200)
- Blow-Out-Proof Stem Design
- Anti-Static Device
- ISO 5211 Mounting Flange
- ANSI B16.10 Class 150/300, DIN 3202 F4/F5
- ANSI B16.5 Class 150/300 RF, EN1092-1 PN10/16/25/40 RF

Body	CF8M (1.4408) / WCB (1.0619)
Ball / Stem	CF8M / SS316
Seat	PTFE.
Temperature Range	-4 to 356 °F (-20 to 180 °C)

V-655

TA-LUFT / ISO 15848-1



Design Feature

- 1/4" - 4" (DN8 - DN100)
- 8 Bolts Design
- Blow-Out-Proof Stem Design
- Anti-Static Device
- ISO 5211 Direct Mounting Flange
- Handle with Locking Device
- End Connection : Threaded, Socket Weld, Butt Weld End

Body	CF8M (1.4408) / WCB (1.0619)
Ball / Stem	CF8M / SS316
Seat	RTFE. / PTFE.
Working Pressure	1/4" - 1" 2000PSI (PN140) 1 1/4" - 2" 1500PSI (PN100) 2 1/2" - 4" 1000PSI (PN63)

MD-82

TA-LUFT / ISO 15848-1



Design Feature

- Full Bore, API 608 Design
- ABS Type Approval
- 1/2" - 12" (DN15 - DN300)
- Blow-Out-Proof Stem Design
- Anti-Static Device
- ISO 5211 Mounting Flange
- ANSI B16.10 Class 150/300, DIN 3202 F1/F4/F5
- ANSI B16.5 Class 150/300 RF, EN1092-1 PN10/16/25/40 RF

Body	CF8M (1.4408) / WCB (1.0619)
Ball / Stem	CF8M / SS316
Seat	RTFE. / PTFE.
Temperature Range	-4 to 356 °F (-20 to 180 °C)

V-FLOW BALL VALVES

BALL PORT



V-PORT (15 °)



V-PORT (30 °)



V-PORT (45 °)



V-PORT (60 °)



V-PORT (90 °)



V-PORT (SLOTTED)

• Threaded / Socket Weld / Butt Weld End

V-158



Design Feature

- 1/4" - 4" (DN8 - DN100)
- Blow-Out-Proof Stem Design
- Anti-Static Device
- ISO 5211 Direct Mounting Flange
- Handle with Locking Device
- End Connection :
Threaded, Socket Weld
Butt Weld, Flanged PN16/40 RF

Body	ASTM A351 Gr.CF8M (1.4408)
Ball / Stem	CF8M / SS316
Seat	50%PTFE. + 50%S.S.
Working Pressure	1/2" - 2" 1000PSI (PN63)
	2 1/2" - 4" 800PSI (PN40)

V-155



Design Feature

- 1/4" - 2 1/2" (DN8 - DN65)
- ISO 5211 Mounting Flange
- Blow-Out-Proof Stem Design
- Anti-Static Device
- Handle with Locking Device
- End Connection : Threaded,
Socket Weld, Butt Weld End

Body	ASTM A351 Gr.CF8M (1.4408)
Ball / Stem	CF8M / SS316
Seat	50%PTFE. + 50%S.S.
Working Pressure	1/4" - 1" 2000PSI (PN140)
	1 1/4" - 2" 1500PSI (PN100)
	2 1/2" 1000PSI (PN 63)

V-655



Design Feature

- 1/4" - 4" (DN8 - DN100)
- Blow-Out-Proof Stem Design
- Anti-Static Device
- ISO 5211 Direct Mounting Flange
- Handle with Locking Device
- End Connection : Threaded,
Socket Weld, Butt Weld End

Body	ASTM A351 Gr.CF8M (1.4408)
Ball / Stem	CF8M / SS316
Seat	50%PTFE. + 50%S.S.
Working Pressure	1/4" - 1" 2000PSI (PN140)
	1 1/4" - 2" 1500PSI (PN100)
	2 1/2" - 4" 1000PSI (PN 63)

V-255



Design Feature

- 1/4" - 2" (DN8 - DN50)
- ISO 5211 Mounting Flange
- Blow-Out-Proof Stem Design
- Anti-Static Device
- Handle with Locking Device
- End Connection : Threaded,
Socket Weld, Butt Weld End

Body	ASTM A351 Gr.CF8M (1.4408)
Ball / Stem	CF8M / SS316
Seat	50%PTFE. + 50%S.S.
Working Pressure	1/4" - 1" 2000PSI (PN140)
	1 1/4" - 2" 1500PSI (PN100)



V-FLOW BALL VALVES

• FLANGED END

VF-27

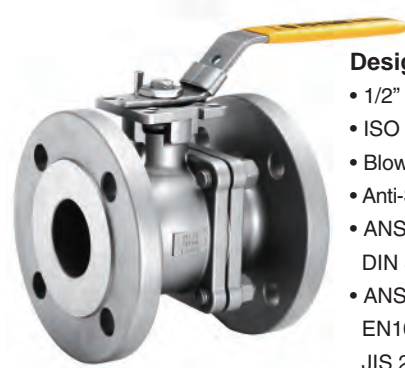


Design Feature

- 1/2" - 6" (DN15 - DN150)
- ISO 5211 Mounting Flange
- Blow-Out-Proof Stem Design
- Anti-Static Device
- ANSI B16.10 Class 150/300/600, DIN 3202 F1/F4/F5, JIS B2002
- ANSI B16.5 Class 150/300/600 RF, EN1092-1 PN10/16/25/40 RF, JIS 2010 10K/20K

Body	CF8M (1.4408) / WCB (1.0619)
Ball / Stem	CF8M / SS316
Seat	50%PTFE. + 50%S.S.

VF-28

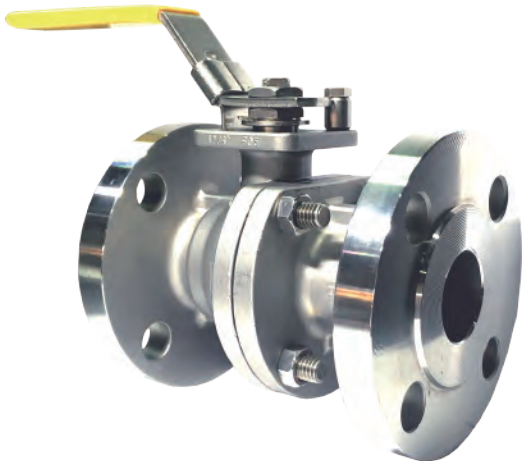


Design Feature

- 1/2" - 6" (DN15 - DN150)
- ISO 5211 Direct Mounting Flange
- Blow-Out-Proof Stem Design
- Anti-Static Device
- ANSI B16.10 Class 150/300, DIN 3202 F1/F4/F5, JIS 2002
- ANSI B16.5 Class 150/300 RF, EN1092-1 PN10/16/25/40 RF, JIS 2010 10K/20K

Body	CF8M (1.4408) / WCB (1.0619)
Ball / Stem	CF8M / SS316
Seat	50%PTFE. + 50%S.S.

MD-32 ANSI Class 150 / 300 / 600



Design Feature

- Full Bore, API 608 Design
- 1/2" - 8" (DN15 - DN200)
- Blow-Out-Proof Stem Design
- Anti-Static Device
- ISO 5211 Mounting Flange
- ANSI B16.10 Class 150/300/600
DIN 3202 F4/F5
- ANSI B16.5 Class 150/300/600 RF
EN1092-1 PN10/16/25/40 RF

Body	CF8M (1.4408) / WCB (1.0619)
Ball / Stem	CF8M / SS316
Seat	PTFE.+50%SS316

MODENTIC **SANITARY BALL VALVES**

V-Z05EB / TC



Option : Locking Device, Cavity Filled Seat

Design Feature

- Tube Bore
- 1/2" - 4" (DN15 - DN100)
- Blow-Out-Proof Stem Design
- End Connection : Tri-Clamp, Tube End, DIN 11850 Tube End

Body	ASTM A351 Gr.CF8M
Ball / Stem	CF8M / SS 316
Seat	TFM1600
Temperature Range	-4 to 356 °F (-20 to 180 °C)
Working pressure	1000PSI (PN63) 1/2" - 2" 800PSI (PN40) 2 1/2" - 4"

V-Z05MEB / TC

ISO 5211 Mounting Flange



Option : Cavity Filled Seat

Design Feature

- Tube Bore
- 1/2" - 4" (DN15 - DN100)
- Blow-Out-Proof Stem Design
- End Connection : Tri-Clamp, Tube End, DIN 11850 Tube End

Body	ASTM A351 Gr.CF8M
Ball / Stem	CF8M / SS 316
Seat	TFM1600
Temperature Range	-4 to 356 °F (-20 to 180 °C)
Working pressure	1000PSI (PN63) 1/2" - 2" 800PSI (PN40) 2 1/2" - 4"

V-Z58EB / TC - ISO 5211 Direct Mounting Flange



Design Feature

- Tube Bore
- 1/2" - 4" (DN15 - DN100)
- Cavity Filled Seat (Option)
- Blow-Out-Proof Stem Design
- End Connection : Tri-Clamp, Tube End, DIN 11850 Tube End



Body	ASTM A351 Gr.CF8M
Ball / Stem	CF8M / SS 316
Seat	TFM1600
Temperature Range	-4 to 356 °F (-20 to 180 °C)
Working pressure	1000PSI (PN63) 1/2" - 2" 800PSI (PN40) 2 1/2" - 4"

K-Z04EB / TC



Design Feature

- Tube Bore
- 3/4 Way L / T / X Port
- 1/2" - 4" (DN15 - DN100)
- Blow-Out-Proof Stem Design
- ISO 5211 Direct Mounting Flange
- End Connection : Tri-Clamp, 3A Tube End
- Option : Cavity Filled Seat

Body	ASTM A351 Gr.CF8M
Ball / Stem	CF8M / SS316
Seat	PTFE.
Temperature Range	-4 to 356 °F (-20 to 180 °C)
Working Pressure	720PSI (PN40)

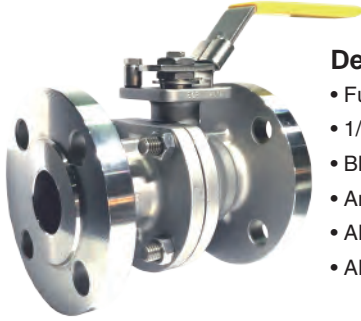


METAL SEATED BALL VALVES

MD-32Q-150/300

Floating Type

Metal Seated



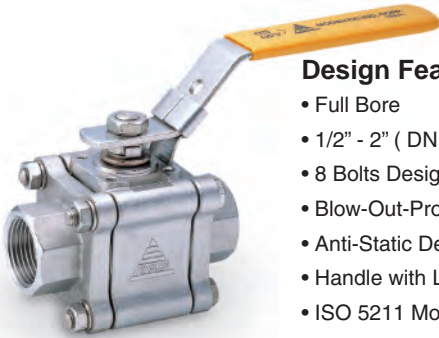
Design Feature

- Full Bore
- 1/2" - 6" (DN15 - DN150)
- Blow-Out-Proof Stem Design
- Anti-Static Device
- ANSI B16.10 Class 150/300
- ANSI B16.5 Class 150/300 RF

Body	ASTM A351 Gr.CF8M
Ball / Stem	CF8M + Hard Cr. / SS316
Seat	SS316 + Stellite #6
Tightness Rates	ΔP : ASME / FCI 70-2 Class IV

V-255Q

API 6FA Fire Safe Design



Design Feature

- Full Bore
- 1/2" - 2" (DN15 - DN50)
- 8 Bolts Design
- Blow-Out-Proof Stem Design
- Anti-Static Device
- Handle with Locking Device
- ISO 5211 Mounting Flange
- End Connection : Threaded, Socket Weld, Butt Weld End

• Design Specification : ANSI B16.34 Class 600

• Working Pressure (CWP) :

1/2" - 1" 2000PSI (DN15 - DN25 PN140)

1 1/4" - 2" 1500PSI (DN32 - DN50 PN100)

Body	ASTM A351 Gr.CF8M (1.4408)
Ball / Stem	CF8M + Hard Cr. / SS316
Seat	SS316 + Stellite #6
Tightness Rates	ΔP : ASME / FCI 70-2 Class IV

MD-54Q-150/300

Trunnion Mounted Type

Metal Seated, API 6FA Fire Safe Design



Design Feature

- Full Bore
- 2" - 16" (DN50 - DN400)
- 3 Pieces Body Design
- Trunnion Mounted Type
- Blow-Out-Proof Stem Design
- Anti-Static Device
- ANSI B16.10 Class 150/300/600
- ANSI B16.5 Class 150/300/600 RF

Body	ASTM A351 Gr.CF8M
Ball / Stem	CF8M + Hard Cr. / SS316
Seat	SS316 + Stellite #6
Tightness Rates	ΔP : ASME / FCI 70-2 Class IV

V-655Q

API 6FA Fire Safe Design



Design Feature

- Full Bore
- ISO 5211 Direct Mounting Flange
- 1/2" - 4" (DN15 - DN100)
- 8 Bolts Design
- Blow-Out-Proof Stem Design
- Anti-Static Device
- Handle with Locking Device
- End Connection : Threaded, Socket Weld, Butt Weld End

• Design Specification : ANSI B16.34 Class 600

• Working Pressure (CWP) :

1/2" - 1" 2000PSI (DN15 - DN25 PN140)

1-1/4" - 2" 1500PSI (DN32 - DN50 PN100)

2-1/2" - 4" 1000PSI (DN65 - DN100 PN63)

Body	ASTM A351 Gr.CF8M (1.4408)
Ball / Stem	CF8M + Hard Cr. / SS316
Seat	SS316 + Stellite #6
Tightness Rates	ΔP : ASME / FCI 70-2 Class IV



HIGH PRESSURE 3000PSI - 6000PSI BALL VALVES

Other Materials are available upon request

HPV-30 • HPV-60



Design Feature

- 2 Pieces Body Design
- Blow-Out-Proof Stem Design
- ISO 5211 Mounting Flange
- Handle with Locking Device
- End Connection : Threaded End
- Seal Welding Body Design for 6000 PSI

HPV-30 3000PSI • Full Bore • 1/4" - 2" (DN8 - DN50)
 • Reduced Bore • 2" (DN50)

HPV-60 6000PSI • Full Bore • 1/4" - 1" (DN8 - DN25)

Body	ASTM A351 Gr.CF8M
Ball / Stem	CF8M / SS316
Seat	Derlin® / Peek
Temperature Range	-4 to 176 °F (-20 to 80 °C) for Derlin® -4 to 500 °F (-20 to 260 °C) for Peek
Working Pressure	3000/6000PSI (PN210/420)

HPV-40 • HPV-41



Design Feature

- 3 Pieces Body Design
- ISO 5211 Mounting Flange
- Blow-Out-Proof Stem Design
- Anti-Static Device
- Bar Material Body
- End Connection : Threaded, Socket Weld, Butt Weld End

HPV-40 3000PSI • Full Bore • 1/4" - 2" (DN8 - DN50)

HPV-41 6000PSI • Full Bore • 1/4" - 2" (DN8 - DN50)

HPV-40A 3000PSI • Reduced Bore • 1/4" - 2" (DN8 - DN50)

HPV-41A 6000PSI • Reduced Bore • 1/4" - 2" (DN8 - DN50)

Body	AISI 1045 / AISI 316 (bar material)
Ball / Stem	CF8M / 17-4 PH
Seat	Derlin® / Peek
Temperature Range	-4 to 176 °F (-20 to 80 °C) for Derlin® -4 to 500 °F (-20 to 260 °C) for Peek
Working Pressure	HPV-40 3000PSI (PN210) HPV-41 6000PSI (PN420)

HPV-38



Design Feature

- 1/2" - 2" Full Bore
- 2 Pieces Body Design
- ISO 5211 Direct Mounting Flange
- Blow-Out-Proof Stem Design
- Anti-Static Device
- End Connection : Threaded End

Body	CF8M (1.4408) / WCB (1.0619)
Ball / Stem	CF8M / SS316
Seat	Derlin® / Peek
Temperature Range	-4 to 176 °F (-20 to 80 °C) for Derlin® -4 to 500 °F (-20 to 260 °C) for Peek
Working Pressure	3000PSI (PN210)

HPV-84



Design Feature

- 1/2" - 1 1/2" Full Bore
2" Reduced Bore
- 2 Pieces Body Design
- Blow-Out-Proof Stem Design
- ISO 5211 Direct Mounting Flange
- End Connection : Threaded End

Body	ASTM A351 Gr.CF8M
Ball / Stem	CF8M / SS316
Seat	Derlin® / Peek
Temperature Range	-4 to 176 °F (-20 to 80 °C) for Derlin® -4 to 500 °F (-20 to 260 °C) for Peek
Working Pressure	3000PSI (PN210)

HPV-43



Design Feature

- ANSI B16.34 Class 900 Design
- Blow-Out-Proof Stem Design
- Anti-Static Device
- ISO 5211 Mounting Flange
- End Connection : Threaded, Socket Weld, Butt Weld End

Body	ASTM A216 Gr.WCB / ASTM A351 Gr.CF8M
Ball / Stem	CF8M / 17-4 PH
Seat	Derlin® / Peek
Working Pressure	2220PSI (PN150)
Temperature Range	-4 to 356 °F (-20 to 180 °C)

ONE PIECE REDUCED PORT

<p>ONE PIECE BALL VALVE</p> <p>01 Threaded End 02 Blow-Out-Proof Stem Design 03 Temperature Range : -4 to 356 °F (-20 to 180 °C) 04 BODY : ASTM A351 Gr.CF8M (1.4408) 05 BALL : SS316 / CF8M 06 STEM : SS316 07 SEAT : PTFE. / RTFE.</p>	 <p>V-83 800PSI (PN40) • 1/4" - 2"</p>	 <p>V-103H 800PSI (PN40) • 1/4" - 2"</p>
 <p>V-1010H 800PSI (PN40) • 1/4" - 1"</p>	 <p>V-103P 800PSI (PN40) • 1/4" - 2" Option : Locking Device</p>	 <p>V-104H 2000PSI (PN140) • 1/4" - 1" 1500PSI (PN100) • 1 1/4" - 2"</p>

TWO PIECES FULL PORT

<p>TWO PIECES BALL VALVE</p> <p>01 Threaded End 02 Blow-Out-Proof Stem Design 03 Temperature Range : -4 to 356 °F (-20 to 180 °C) 04 BODY : ASTM A351 Gr.CF8M (1.4408) 05 BALL : CF8M 06 STEM : SS316 07 SEAT : PTFE. / RTFE.</p>	 <p>V-168 1000PSI (PN63) • 1/4" - 3"</p>	 <p>V-109 • M3 LENGTH 1000PSI (PN63) • 1/4" - 2" 800PSI (PN40) • 2 1/2" - 3"</p>
 <p>V-166 • M3 LENGTH 2000PSI (PN140) • 1/4" - 1" 1500PSI (PN100) • 1 1/4" - 2"</p>	 <p>V-204 1000PSI (PN63) • 1/4" - 2" Option : Locking Device</p>	 <p>V-106 1000PSI (PN63) • 1/4" - 2" 800PSI (PN40) • 2 1/2" - 3" Option : Locking Device</p>

TWO PIECES REDUCED PORT

<p>TWO PIECES BALL VALVE</p> <p>01 Threaded End 02 Blow-Out-Proof Stem Design 03 Temperature Range : -4 to 356 °F (-20 to 180 °C) 04 BODY : ASTM A351 Gr.CF8M (1.4408) 05 BALL : CF8M 06 STEM : SS316 07 SEAT : PTFE. / RTFE.</p>	 <p>V-108 2000PSI (PN140) • 1/4" - 1" 1500PSI (PN100) • 1 1/4" - 2"</p>	 <p>V-111 1000PSI (PN63) • 1/4" - 2"</p>
---	---	---



THREE PIECES BALL VALVES

V-105



Design Feature

- Full Bore
- 1/4" - 4" (DN8 - DN100)
- Blow-Out-Proof Stem Design
- End Connection : Threaded, Socket Weld, Butt Weld, 3A Tube / Tri-Clamp End
- Option :
 1. Locking Device
 2. Face to Face : DIN 3202 M3/S13

Body	ASTM A351 Gr.CF8M (1.4408)
Ball / Stem	CF8M / SS316
Seat	PTFE.
Temperature Range	-4 to 356 °F (-20 to 180 °C)
Working Pressure	1/4" - 2" 1000PSI (PN63) 2 1/2" - 4" 800PSI (PN40)

V-105M



Design Feature

- Full Bore
- 1/4" - 4" (DN8 - DN100)
- Blow-Out-Proof Stem Design
- ISO 5211 Mounting Flange
- Locking Handle
- End Connection : Threaded, Socket Weld, Butt Weld End

Body	ASTM A351 Gr.CF8M (1.4408)
Ball / Stem	CF8M / SS316
Seat	RTFE. (15% glass fiber filled)
Temperature Range	-4 to 356 °F (-20 to 180 °C)
Working Pressure	1/4" - 2" 1000PSI (PN63) 2 1/2" - 4" 800PSI (PN40)

V-255



Design Feature

- Full Bore
- 1/2" - 2" (DN15 - DN50)
- API 608 Design
- ISO 5211 Mounting Flange
- Blow-Out-Proof Stem
- Anti-Static Device
- End Connection : Flanged End
- Face to Face : EN558-1 F1
- Flange Dim. : EN1092-1 PN16/40 RF

Body	CF8M (1.4408) / WCB (1.0619) / SPECIAL ALLOY
Ball	CF8M / SPECIAL ALLOY
Stem	SS316 / SPECIAL ALLOY
Seat	RTFE. / PTFE. / TFM1600
Temperature Range	-4 to 356 °F (-20 to 180 °C)

V-655



Design Feature

- Full Bore
- 1/2" - 4" (DN15 - DN100)
- API 608 Design
- ISO 5211 Direct Mounting Flange
- Blow-Out-Proof Stem
- Anti-Static Device
- End Connection : Flanged End
- Face to Face : EN558-1 F1
- Flange Dim. : EN1092-1 PN16/40 RF

Body	CF8M (1.4408) / WCB (1.0619) / SPECIAL ALLOY
Ball	CF8M / SPECIAL ALLOY
Stem	SS316 / SPECIAL ALLOY
Seat	RTFE. / PTFE. / TFM1600
Temperature Range	-4 to 356 °F (-20 to 180 °C)

V-158 SERIES

- Full Bore • Blow-Out-Proof Stem Design • Anti-Static Device • ISO 5211 Direct Mounting Flange • Locking Device Handle
- Temperature Range : -4 to 356 °F (-20 to 180 °C)
- BODY **CF8M (1.4408)** • BALL **CF8M** • STEM **SS316** • SEAT **RTFE.**
- Working Pressure : 1/4" - 2" 1000PSI (PN63) • 2 1/2" - 4" 800PSI (PN40)



V-158

Threaded • Socket Weld • Butt Weld End
3A Tube • Tri-Clamp End
Option - Face to Face : DIN3202 M3/S13



V-158F

Face to Face : EN558-1 F1
Flanged End PN16/40 RF
Size : 1/2" - 4"



V-158W

Extended Butt Weld End
Size : 1/2" - 4"



THREE PIECES BALL VALVES

V-255



Design Feature

- API 608 Design
- 8 Bolts Design
- Blow-Out-Proof Stem Design
- Anti-Static Device
- ISO 5211 Mounting Flange
- Handle with Locking Device
- End Connection : Threaded, Socket Weld, Butt Weld End

V-255 • Full Bore • 1/4" - 2" (DN8 - DN50)

V-255A • Reduced Bore • 1/2" - 2-1/2" (DN15 - DN65)

Body	CF8M (1.4408) / WCB (1.0619)
Ball / Stem	CF8M / SS316
Seat	RTFE. (15% glass fiber filled)
Working Pressure	1/4" - 1" 2000PSI (PN140)
	1-1/4" - 2" 1500PSI (PN100)

V-155



Design Feature

- Blow-Out-Proof Stem Design
- Anti-Static Device
- ISO 5211 Mounting Flange
- Handle with Locking Device
- End Connection : Threaded, Socket Weld, Butt Weld End

V-155 • Full Bore • 1/4" - 2 1/2" (DN8 - DN65)

V-155A • Reduced Bore • 1/2" - 3" (DN15 - DN80)

Body	CF8M (1.4408) / WCB (1.0619)
Ball / Stem	CF8M / SS316
Seat	RTFE. (15% glass fiber filled)
Working Pressure	1/4" - 1" 2000PSI (PN140)
	1 1/4" - 2" 1500PSI (PN100)
	2 1/2" 1000PSI (PN63)

V-356



Design Feature

- Full Bore
- 1/4" - 2" (DN8 - DN50)
- Blow-Out-Proof Stem Design
- Anti-Static Device
- ISO5211 Direct Mounting Flange
- Handle with Locking Device
- End Connection : Threaded, Socket Weld End

Body	CF8M (1.4408) / WCB (1.0619)
Ball / Stem	CF8M / SS316
Seat	RTFE. (15% glass fiber filled)
Working Pressure	1/4"- 2" 2000PSI (PN140)

V-655

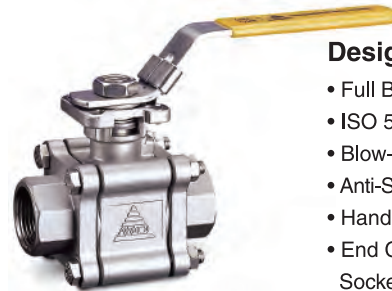


Design Feature

- Full Bore, API 608 Design
- 1/4" - 4" (DN8 - DN100)
- 8 Bolts Design
- ISO 5211 Direct Mounting Flange
- Blow-Out-Proof Stem Design
- Anti-Static Device
- Handle With Locking Device
- End Connection : Threaded / Socket Weld / Butt Weld End

Body	CF8M (1.4408) / WCB (1.0619)
Ball / Stem	CF8M / SS316
Seat	RTFE. (15% glass fiber filled)
Working Pressure	1/4" - 1" 2000PSI (PN140)
	1-1/4" - 2" 1500PSI (PN100)
	2-1/2" - 4" 1000PSI (PN63)

V-355



Design Feature

- Full Bore
- ISO 5211 Direct Mounting Flange
- Blow-Out-Proof Stem Design
- Anti-Static Device
- Handle With Locking Device
- End Connection : Threaded / Socket Weld / Butt Weld End

V-355 • Full Bore • 1/4" - 4" (DN8 - DN100)

V-355A • Reduced Bore • 1/2" - 4" (DN15 - DN100)

Body	CF8M (1.4408) / WCB (1.0619)
Ball / Stem	CF8M / SS316
Seat	RTFE. (15% glass fiber filled)
Temperature Range	-4 to 356 °F (-20 to 180 °C)
Working Pressure (CWP)	1/4" - 1" 2000PSI (PN140)
	1-1/4" - 2" 1500PSI (PN100)
	2-1/2" - 4" 1000PSI (PN63)



FORGED BALL VALVES

V-114H



Design Feature

- Reduced Bore
- 1 Piece Body Design
- 1/4" - 2" (DN8 - DN50)
- Blow-Out-Proof Stem Design
- Forged Steel Components
- Design as per ANSI B16.34
- End Connection : Threaded End

Body	ASTM A105N
Ball / Stem	CF8M / SS316
Seat	PTFE.
Temperature Range	-4 to 356 °F (-20 to 180 °C)
Working Pressure (CWP)	1/4" - 1" 2000PSI (PN140)
	1-1/4" - 2" 1500PSI (PN100)

 **MULTI WAY BALL VALVES**

K-301 3 WAYS L / T Port



- Design Feature**
- Standard Bore
 - 1/4" - 2" (DN8 - DN50)
 - Blow-Out-Proof Stem
 - 2 Seats Design for L port
 - 3 Seats Design for T port
 - End Connection : Threaded End

Body	ASTM A351 Gr.CF8M (1.4408)
Ball / Stem	CF8M / SS316
Seat	PTFE.
Temperature Range	-4 to 356 °F (-20 to 180 °C)
Working Pressure	1/4" - 2" 1000PSI (PN63)

K-302 3 WAYS L / T Port



- Design Feature**
- Standard Bore
 - 1/4" - 2" (DN8 - DN50)
 - Blow-Out-Proof Stem
 - 3 Seats Design
 - End Connection : Threaded End

Body	ASTM A351 Gr.CF8M (1.4408)
Ball / Stem	CF8M / SS316
Seat	PTFE.
Temperature Range	-4 to 356 °F (-20 to 180 °C)
Working Pressure	1/4" - 2" 1000PSI (PN63)

K-303 3 WAYS L / T Port



- Design Feature**
- Standard Bore
 - 1/4" - 3" (DN8 - DN80)
 - Blow-Out-Proof Stem Design
 - 3 Seats Design
 - ISO 5211 Mounting Flange
 - End Connection : Threaded End

Body	ASTM A351 Gr.CF8M (1.4408)
Ball / Stem	CF8M / SS316
Seat	RTFE. (15% glass fiber filled)
Temperature Range	-4 to 356 °F (-20 to 180 °C)
Working Pressure	1/4" - 3" 1000PSI (PN63)

K-310 3 WAYS L / T Port



- Design Feature**
- Full Bore
 - 1/4" - 1 1/2" (DN8 - DN40)
 - Blow-Out-Proof Stem Design
 - 3 Seats Design
 - ISO 5211 Mounting Flange
 - End Connection : Threaded End

Body	ASTM A351 Gr.CF8M (1.4408)
Ball / Stem	CF8M / SS316
Seat	RTFE. (15% glass fiber filled)
Temperature Range	-4 to 356 °F (-20 to 180 °C)
Working Pressure	1/4" - 1 1/2" 1000PSI (PN63)

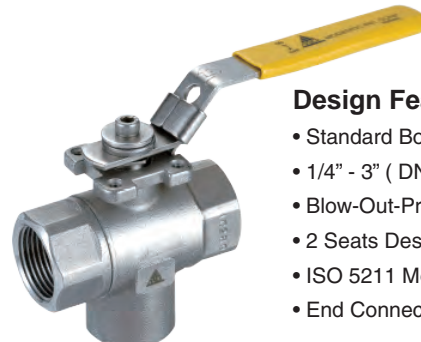
K-318 3 WAYS L / T Port



- Design Feature**
- Standard Bore
 - 1/4" - 2" (DN8 - DN50)
 - Blow-Out-Proof Stem Design
 - 3 Seats Design
 - ISO 5211 Direct Mounting Flange
 - End Connection : Threaded End

Body	ASTM A351 Gr.CF8M (1.4408)
Ball / Stem	CF8M / SS316
Seat	RTFE. (15% glass fiber filled)
Temperature Range	-4 to 356 °F (-20 to 180 °C)
Working Pressure	1/4" - 2" 1000PSI (PN63)

K-306 3 WAYS L / T Port



- Design Feature**
- Standard Bore
 - 1/4" - 3" (DN8 - DN80)
 - Blow-Out-Proof Stem Design
 - 2 Seats Design
 - ISO 5211 Mounting Flange
 - End Connection : Threaded End

Body	ASTM A351 Gr.CF8M (1.4408)
Ball / Stem	CF8M / SS316
Seat	PTFE.
Temperature Range	-4 to 356 °F (-20 to 180 °C)
Working Pressure	1/4" - 3" 1000PSI (PN63)



MULTI WAY BALL VALVES - Threaded / Socket Weld / Butt Weld End

K-314 3 WAYS L / T Port



Design Feature

- Full Bore
- 1/2" - 4" (DN8 - DN100)
- Blow-Out-Proof Stem Design
- 4 Seats Design
- ISO 5211 Direct Mounting Flange
- End Connection : Threaded, Socket Weld, Butt Weld End

Body	CF8M (1.4408) /
Ball / Stem	CF8M / SS316
Seat	RTFE. (15% glass fiber filled)
Temperature Range	-4 to 356 °F (-20 to 180 °C)
Working Pressure	1/2" - 4" 1000PSI (PN63)

K-315 4 WAYS L / T / X Port



Design Feature

- Full Bore
- 1/2" - 4" (DN15 - DN100)
- Blow-Out-Proof Stem Design
- 4 Seats Design
- ISO 5211 Direct Mounting Flange
- End Connection : Threaded, Socket Weld, Butt Weld End

Body	ASTM A351 Gr.CF8M (1.4408)
Ball / Stem	CF8M / SS316
Seat	RTFE. (15% glass fiber filled)
Temperature Range	-4 to 356 °F (-20 to 180 °C)
Working Pressure	1/2" - 4" 1000PSI (PN63)



MULTI WAY BALL VALVES - Flanged End

KF-314 • 3 WAYS • L / T PORT



Design Feature

- Full Bore
- 1/2" - 6" (DN15 - DN150)
- Split Body, Floating Type
- Blow-Out-Proof Stem Design
- Anti-Static Device
- ISO 5211 Direct Mounting Flange
- Face to Face : MFG. Standard
- ANSI B16.5 Class 150 RF
- EN1092-1 PN10/16/25/40 RF
- JIS 2010 10K

Body	CF8M (1.4408) / WCB (1.0619)
Ball / Stem	CF8M / SS316
Seat	RTFE. (15% glass fiber filled)
Temperature Range	-4 to 356 °F (-20 to 180 °C)

KF-315 • 4 WAYS • L / T / DOUBLE L PORT



Design Feature

- Full Bore, Solid Ball
- 1/2" - 6" (DN15 - DN150)
- Split Body, Floating Type
- Blow-Out-Proof Stem Design
- Anti-Static Device
- ISO 5211 Direct Mounting Flange
- Face to Face : MFG. Standard
- ANSI B16.5 Class 150 RF
- EN1092-1 PN10/16/25/40 RF
- JIS 2010 10K

Body	CF8M (1.4408) / WCB (1.0619)
Ball / Stem	CF8M / SS316
Seat	RTFE. (15% glass fiber filled)
Temperature Range	-4 to 356 °F (-20 to 180 °C)

KF-307 • 3 WAYS • L / T PORT



Design Feature

- Full Bore
- 3/4" - 12" (DN20 - DN300)
- Split Body, Trunnion Mounted Type
- Anti-Static Device
- ISO 5211 Mounting Flange
- Face to Face : MFG. Standard
- ANSI B16.5 Class 150/300 RF,
- EN1092-1 PN10/16/25/40 RF

Body	CF8M (1.4408) / WCB (1.0619)
Ball / Stem	CF8M
Seat	PTFE.
Temperature Range	-4 to 356 °F (-20 to 180 °C)

KF-308 • 4 WAYS • L / T / DOUBLE L PORT



Design Feature

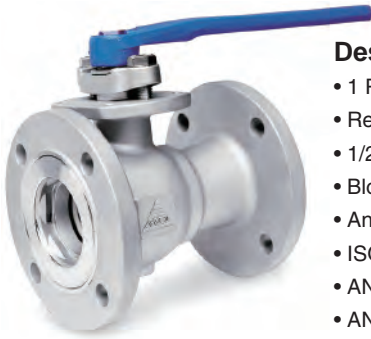
- Full Bore
- 1 1/2" - 8" (DN40 - DN200)
- Split Body, Trunnion Mounted Type
- Anti-Static Device
- ISO 5211 Mounting Flange
- Face to Face : MFG. Standard
- ANSI B16.5 Class 150/300 RF,
- EN1092-1 PN10/16/25/40 RF

Body	CF8M (1.4408) / WCB (1.0619)
Ball / Stem	CF8M
Seat	PTFE.
Temperature Range	-4 to 356 °F (-20 to 180 °C)



TWO WAY BALL VALVES

MD-51

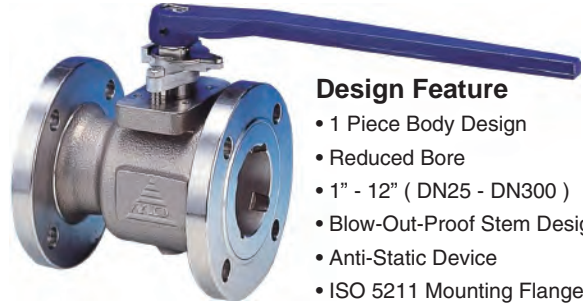


Design Feature

- 1 Piece Body Design
- Reduced Bore
- 1/2" - 6" (DN15 - DN150)
- Blow-Out-Proof Stem Design
- Anti-Static Device
- ISO 5211 Mounting Flange
- ANSI B16.10 Class 150/300
- ANSI B16.5 Class 150/300 RF

Body	ASTM A351 Gr.CF8M
Ball / Stem	CF8M / SS316
Seat	RTFE. (15% glass fiber filled)
Temperature Range	-4 to 356 °F (-20 to 180 °C)

MD-81

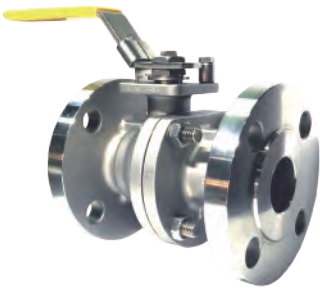


Design Feature

- 1 Piece Body Design
- Reduced Bore
- 1" - 12" (DN25 - DN300)
- Blow-Out-Proof Stem Design
- Anti-Static Device
- ISO 5211 Mounting Flange
- ANSI B16.10 Class 150/300
- ANSI B16.5 Class 150/300 RF

Body	ASTM A351 Gr.CF8M
Ball / Stem	CF8M / SS316
Seat	RTFE. (15% glass fiber filled)
Temperature Range	-4 to 356 °F (-20 to 180 °C)

MD-32



Design Feature

- 2 Pieces Body Design
- API 608 Design
- Full Bore
- 1/2" - 6" (DN15 - DN150)
- Blow-Out-Proof Stem Design
- Anti-Static Device
- ISO 5211 Mounting Flange
- ANSI B16.10 Class 150/300/600
DIN 3202 F4/F5, JIS B2002
- ANSI B16.5 Class 150/300/600 RF
EN1092-1 PN10/16/25/40 RF
JIS 2010 10K

Body	CF8M(1.4408) / WCB(1.0619)
Ball / Stem	CF8M / SS316
Seat	RTFE. (15% glass fiber filled)
Temperature Range	-4 to 356 °F (-20 to 180 °C)

MD-82



Design Feature

- 2 Pieces Body Design
- Full Bore
- API 608 Design
- 1/2" - 12" (DN15 - DN300)
- Blow-Out-Proof Stem Design
- Anti-Static Device
- ISO 5211 Mounting Flange
- ANSI B16.10 Class 150/300,
DIN 3202 F4/F5
- ANSI B16.5 Class 150/300 RF,
EN1092-1 PN10/16/25/40 RF

Body	CF8M(1.4408) / WCB(1.0619)
Ball / Stem	CF8M / SS316
Seat	RTFE. (15% glass fiber filled)
Temperature Range	-4 to 356 °F (-20 to 180 °C)

MD-27



Design Feature

- 2 Pieces Body Design
- Full Bore
- 1/2" - 8" (DN15 - DN200)
- Blow-Out-Proof Stem Design
- Anti-Static Device
- ISO 5211 Mounting Flange
- ANSI B16.10 Class 150/300/600,
DIN 3202 F1/F4/F5, JIS B2002
- ANSI B16.5 Class 150/300/600 RF,
EN1092-1 PN10/16/25/40 RF,
JIS 2010 10K/20K

Body	CF8M(1.4408) / WCB(1.0619)
Ball / Stem	CF8M / SS316
Seat	RTFE. (15% glass fiber filled)
Temperature Range	-4 to 356 °F (-20 to 180 °C)

MD-22J



Design Feature

- Jacket Design
- Full Bore
- 1/2" - 6" (DN15 - DN150)
- Blow-Out-Proof Stem Design
- Anti-Static Device
- ISO 5211 Mounting Flange
- ANSI B16.5 Class 150 RF,
EN1092-1 PN10/16,
JIS 2010 10K

Body	CF8M(1.4408) / WCB(1.0619)
Ball / Stem	CF8M / SS316
Seat	50%PTFE. + 50%S.S.
Temperature Range	-4 to 356 °F (-20 to 180 °C)



TWO WAY BALL VALVES

MD-55



Design Feature

- 2 Pieces Body Design
- Full Bore
- 1/2" - 6" (DN15 - DN150)
- Blow-Out-Proof Stem Design
- Anti-Static Device
- ISO 5211 Direct Mounting Flange
- ANSI B16.10 Class 150, DIN 3202 F4/F5
- ANSI B16.5 Class 150 RF, EN1092-1 PN16 RF

Body	ASTM A351 Gr.CF8M (1.4408)
Ball / Stem	CF8M / SS316
Seat	RTFE. (15% glass fiber filled)
Temperature Range	-4 to 356 °F (-20 to 180 °C)

MD-28



Design Feature

- 2 Pieces Body Design
- Full Bore
- API 608 Design
- 1/2" - 6" (DN15 - DN150)
- Blow-Out-Proof Stem Design
- Anti-Static Device
- ISO 5211 Direct Mounting Flange
- ANSI B16.10 Class 150/300, DIN 3202 F1/F4/F5, JIS B2002
- ANSI B16.5 Class 150/300 RF, EN1092-1 PN10/16/25/40 RF, JIS 2010 10K/20K

Body	ASTM A351 Gr.CF8M (1.4408)
Ball / Stem	CF8M / SS316
Seat	RTFE. (15% glass fiber filled)
Temperature Range	-4 to 356 °F (-20 to 180 °C)

MD-57

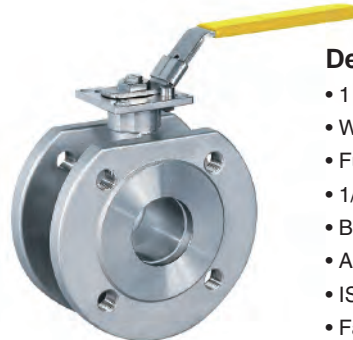


Design Feature

- 1 Piece Body Design
- Wafer Type
- Full Bore
- 1/2" - 6" (DN15 - DN150)
- Blow-Out-Proof Stem Design
- Anti-Static Device
- ISO 5211 Mounting Flange
- Face to Face : MFG. Standard
- ANSI B16.5 Class 150 RF, EN1092-1 PN16 RF

Body	ASTM A351 Gr. CF8M (1.4408)
Ball / Stem	CF8M / SS316
Seat	RTFE. (15% glass fiber filled)
Temperature Range	-4 to 356 °F (-20 to 180 °C)

MD-57D



Design Feature

- 1 Piece Body Design
- Wafer Type
- Full Bore
- 1/2" - 4" (DN15 - DN100)
- Blow-Out-Proof Stem Design
- Anti-Static Device
- ISO 5211 Direct Mounting Flange
- Face to Face : MFG. Standard
- EN1092-1 PN16 RF

Body	ASTM A351 Gr.CF8M (1.4408)
Ball / Stem	CF8M / SS316
Seat	RTFE. (15% glass fiber filled)
Temperature Range	-4 to 356 °F (-20 to 180 °C)



CHECK VALVES AND FLANGED STRAINER

MV-1220

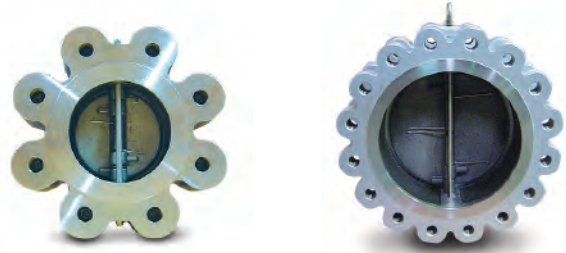


Design Feature

- Design as per API 594
- 11/2" - 60" (DN40 - DN1500)
- Wafer Type Dual Plate
- Flange Dim. : ANSI B16.5, ISO 7005, BS10-Table A/D/E/F, JIS B2338, API 605

Body	Cast / Ductile Iron Stainless / Carbon Steel
Plate	SS316 / SS304 / WCB
Seat	NBR / EPDM / VITON / METAL
Flange Dim.	ANSI B16.5 Class 150/300/600/900/1500/2500, EN1092-1 PN10/16/25/40, JIS 5K/10K/20K

MV-1221



Design Feature

- Design as per API 594
- 11/2" - 24" (DN40 - DN600)
- Lug Type Dual Plate

Body	ASTM A351 Gr.CF8M / A216 Gr.WCB
Plate	ASTM A351 Gr.CF8M / A182 Gr.F316
Seat	NBR / EPDM / VITON / METAL
Flange Dim.	ANSI B16.5 Class 150/300/600 RF, EN1092-1 PN10/16/25/40, JIS 5K/10K/20K

MV-1222



Design Feature

- 2" - 24" (DN50 - DN600)
- Wafer Type
- Swing Check Valves

Body	Carbon / Stainless Steel
Plate	SS316 / SS304
Seat	NBR / EPDM / VITON / PTFE. / METAL
Flange Dim.	ANSI Class 150/300, PN10/16/25/40

WA-001



Design Feature

- 1/2" - 8" (DN15 - DN200)
- Wafer Type
- Spring Check Valves

Body	1.4408
Disc / Spring	1.4408 / SS316
Face to Face	DIN 3202 K4
Pressure Rating	PN40 for DN15 - DN100 PN25 for DN125 - DN150

MV-1225



Design Feature

- 2" - 24" (DN50 - DN600)
- Wafer Type
- Spring Check Valves

Body	Carbon / Stainless Steel
Plate	SS316 / SS304
Seat	NBR / EPDM / VITON / PTFE. / METAL
Pressure Rating	ANSI Class 150/300/600/900, PN10/16/25/40, JIS 5K/10K/20K

FLANGED STRAINER YF-150 / 300 / PN / JIS



Design Feature

- 1/2" - 16" (DN15 - DN400)
- Y-Type Strainer

Body	ASTM A351 Gr.CF8M
Screen	SS304
Face to Face	MFG. Standard
Flange Dim.	ANSI B16.5 Class 150/300 RF, EN1092-1 PN10/16/25/40 RF, JIS 10K



SCREWED END GATE • GLOBE • CHECK • NEEDLE VALVES AND STRAINERS

GATE VALVES GT-200



Design Feature

- 1/2" - 2" (DN15 - DN50)
- Non-Rising Stem
- Solid Wedge

Body / Wedge	ASTM A351 Gr.CF8M (1.4408)
Packing	PTFE.
Working Pressure	200PSI (PN16)
End Connection	Threaded End

GLOBE VALVES GB-200



Design Feature

- 1/4" - 2" (DN8 - DN50)
- Rising Stem
- Solid Disc

Body / Disc	ASTM A351 Gr.CF8M (1.4408)
Packing	PTFE.
Working Pressure	200PSI (PN16)
End Connection	Threaded End

STRAINERS YS-800



Design Feature

- 1/4" - 3" (DN8 - DN80)
- Y-Type Strainer

Body	ASTM A351 Gr.CF8M (1.4408)
Screen / Packing	SS316 / PTFE.
Working Pressure	800PSI (PN40)
End Connection	Threaded End

GLOBE YGB-800



Design Feature

- 1/4" - 3" (DN8 - DN80)
- Y-Type
- Rising Stem
- Solid Disc

Body / Disc	ASTM A351 Gr.CF8M (1.4408)
Packing	PTFE.
Working Pressure	800PSI (PN40)
End Connection	Threaded End

CHECK VALVES SC-200



Design Feature

- 1/4" - 3" (DN8 - DN80)
- Swing Type

Body / Disc	ASTM A351 Gr.CF8M (1.4408)
Body Seal	PTFE.
Working Pressure	200PSI (PN16)
End Connection	Threaded End

CHECK VALVES YSP-800



Design Feature

- 1/4" - 2" (DN8 - DN50)
- Y-Type Spring Type

Body / Disc	ASTM A351 Gr.CF8M (1.4408)
Spring	SS316
Working Pressure	800PSI (PN40)
End Connection	Threaded End

CHECK VALVES WA-002



Design Feature

- 1/4" - 4" (DN8 - DN100)
- 3 Pieces Body Design
- Spring Type

Body / Disc	ASTM A351 Gr.CF8M (1.4408)
Body Seal	PTFE.
Working Pressure	800PSI (PN40)
End Connection	Threaded, Socket Weld, Butt Weld End

NEEDLE VALVES



NV-0060

NV-0061

NV-0062

NV-0063

- NV-0060 NV-0062 Female x Female Screwed End
- NV-0061 NV-0063 Male x Female Screwed End
- 1/8" - 2" (DN6 - DN50)
- CWP : 6000/10000PSI
- Body : ASTM A351 Gr.CF8M (Investment Casting)

MODENIC PNEUMATIC ACTUATED VALVES

Limit Switch Box

- LSB 1000 Weather Proof
- LSB 3000 Explosion Proof
- LSB 7000 Special Material Housing

Air Filter

- AFC 1500/1000 Series
- BFC 2000/3000/4000 Series

Positioner

- PPL / PPR Pneumatic-Pneumatic
- EPL / EER Electro-Pneumatic

Solenoid Valve

- 4V-310 5/2 Way for Spring Return
- 3V-310 3/2 Way for Double Acting

Actuator

- Double Acting
- Spring Return

Available Range

- Screwed Ball Valve 1/4" - 4"
- Flanged Ball Valve 1/2" - 12"
- Multi-Way Ball Valve 1/2" - 8"



MODENIC ELECTRIC ACTUATED VALVES



Available Range

- Screwed Ball Valve 1/4" - 4"
- Flanged Ball Valve 1/2" - 12"
- Multi-Way Ball Valve 1/2" - 8"



PRODUCTS RANGE :

Soft / Metal Seated Ball Vales ANSI Class 150 - 2500	1/4" - 36"
Fire Safe Ball Valves	1/2" - 32"
Fugitive Emission Ball Valves	1/2" - 12"
Super Alloy Valves	1/2" - 12"
Trunnion Mounted Ball Valves	2" - 36"
V-Flow Ball Valves	1/2" - 6"
High Purity Ball Valves	1/2" - 4"

Pressure Range : 1.DIN PN16 - PN420

2.ANSI Class 150 - 2500

Temperature Range : -196°C to 550°C (-321°F to 1022°F)



For more information on any articles in this catalogue, please contact:



MODENTIC INDUSTRIAL CORPORATION

No.9, Wugong 6th Rd., Wufeng Dist.,
Taichung City 413, Taiwan (R.O.C)

Tel : +886-4-23317777 Fax : +886-4-23317771

E-mail : md_sales@ms.modentic.com.tw

<http://www.kevinsteel.com.tw>

<http://www.modentic.com.tw>

<http://www.valvebus.com>

MODENTIC RESERVES THE RIGHT TO CHANGE ANY DETAILS WITHOUT PRIOR NOTICE.