

FGB-800 Forged Globe Valve

ANSI Class 800
Threaded (NPT) End

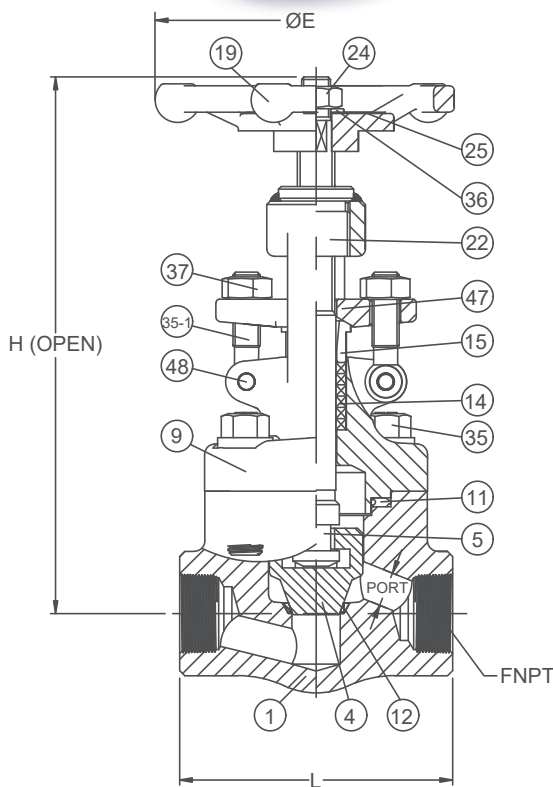


Design Feature

- Design as per API 602
- API 624 Certified in USA
- 1/4" - 2" (DN8 - DN50)
- Bolted Bonnet Design (Option: Welded Bonnet)
- Rising Stem
- Rising Handwheel
- O.S. & Yoke / Plug Disc
- End Connection : NPT Threaded End



API624 is the Fugitive Emission standard for Multi-Turn Valves which guides the design with Graphite or API622 Packing to a maximum 100 ppm FE using Methane gas.



MATERIALS

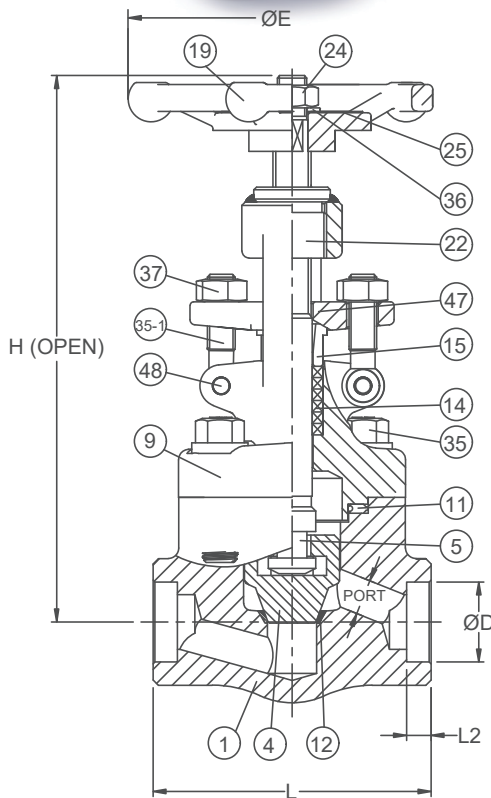
| NO. | PART NAME | MATERIAL |
|------|----------------|------------------|
| 1 | BODY | A105N |
| 4 | DISC | ASTM A276 GR.420 |
| 5 | STEM | ASTM A276 GR.410 |
| 9 | BONNET | A105N |
| 11 | GASKET | SS304+GRAPHITE |
| 12 | INTEGRAL SEAT | A105N + STELLITE |
| 14 | PACKING | GRAPHITE |
| 15 | GLAND | ASTM A276 GR.420 |
| 19 | HANDWHEEL | A197 |
| 22 | STEM NUT | ASTM A276 GR.410 |
| 24 | HANDWHEEL NUT | ASTM A194 GR.2H |
| 25 | NAME PLATE | ALUMINUM |
| 25 | BONNET BOLT | ASTM A193 GR.B7 |
| 35-1 | GLAND BOLT | ASTM A193 GR.B7 |
| 36 | WASHER | ASTM A276 GR.410 |
| 37 | NUT | ASTM A194 GR.2H |
| 47 | GLAND FLANGE | A105N |
| 48 | GLAND BOLT PIN | ASTM A276 GR.304 |

| DIMENSIONS | | | | | | | unit : mm |
|------------|--------|-----|-----|-----|--------|--|-----------|
| SIZE | PORT | L | ØE | H | FNPT | | |
| DN8 | 1/4" | 79 | 100 | 161 | 1/4" | | |
| DN10 | 3/8" | 79 | 100 | 161 | 3/8" | | |
| DN15 | 1/2" | 79 | 100 | 161 | 1/2" | | |
| DN20 | 3/4" | 92 | 100 | 161 | 3/4" | | |
| DN25 | 1" | 111 | 120 | 193 | 1" | | |
| DN32 | 1-1/4" | 120 | 160 | 230 | 1-1/4" | | |
| DN40 | 1-1/2" | 152 | 160 | 248 | 1-1/2" | | |
| DN50 | 2" | 172 | 220 | 282 | 2" | | |

| DIMENSIONS | | | | | | | unit : inch |
|------------|--------|------|------|-------|--------|--|-------------|
| SIZE | PORT | L | ØE | H | FNPT | | |
| DN8 | 1/4" | 3.11 | 3.94 | 6.34 | 1/4" | | |
| DN10 | 3/8" | 3.11 | 3.94 | 6.34 | 3/8" | | |
| DN15 | 1/2" | 3.11 | 3.94 | 6.34 | 1/2" | | |
| DN20 | 3/4" | 3.62 | 3.94 | 6.34 | 3/4" | | |
| DN25 | 1" | 4.37 | 4.72 | 7.60 | 1" | | |
| DN32 | 1-1/4" | 4.72 | 6.30 | 9.06 | 1-1/4" | | |
| DN40 | 1-1/2" | 5.98 | 6.30 | 9.76 | 1-1/2" | | |
| DN50 | 2" | 6.77 | 8.66 | 11.10 | 2" | | |

FGB-800 Forged Globe Valve

ANSI Class 800
Socket Weld End



Design Feature

- Design as per API 602
- API 624 Certified in USA
- 1/4" - 2" (DN8 - DN50)
- Bolted Bonnet Design (Option: Welded Bonnet)
- Rising Stem
- Rising Handwheel
- O.S. & Yoke / Plug Disc
- End Connection : Socket Weld End



API624 is the Fugitive Emission standard for Multi-Turn Valves which guides the design with Graphite or API622 Packing to a maximum 100 ppm FE using Methane gas.

MATERIALS

| NO. | PART NAME | MATERIAL |
|------|----------------|------------------|
| 1 | BODY | A105N |
| 4 | DISC | ASTM A276 GR.420 |
| 5 | STEM | ASTM A276 GR.410 |
| 9 | BONNET | A105N |
| 11 | GASKET | SS304+GRAPHITE |
| 12 | INTEGRAL SEAT | A105N + STELLITE |
| 14 | PACKING | GRAPHITE |
| 15 | GLAND | ASTM A276 GR.420 |
| 19 | HANDWHEEL | A197 |
| 22 | STEM NUT | ASTM A276 GR.410 |
| 24 | HANDWHEEL NUT | ASTM A194 GR.2H |
| 25 | NAME PLATE | ALUMINUM |
| 25 | BONNET BOLT | ASTM A193 GR.B7 |
| 35-1 | GLAND BOLT | ASTM A193 GR.B7 |
| 36 | WASHER | ASTM A276 GR.410 |
| 37 | NUT | ASTM A194 GR.2H |
| 47 | GLAND FLANGE | A105N |
| 48 | GLAND BOLT PIN | ASTM A276 GR.304 |

| DIMENSIONS | | | | | | | unit : mm |
|------------|--------|-----|-----|-----|------|------|-----------|
| SIZE | PORT | L | ØE | H | L2 | ØD | |
| DN8 | 1/4" | 79 | 100 | 161 | 10 | 14.2 | |
| DN10 | 3/8" | 79 | 100 | 161 | 10 | 17.6 | |
| DN15 | 1/2" | 79 | 100 | 161 | 10 | 21.8 | |
| DN20 | 3/4" | 92 | 100 | 161 | 13 | 27.2 | |
| DN25 | 1" | 111 | 120 | 193 | 13 | 33.9 | |
| DN32 | 1-1/4" | 120 | 160 | 230 | 13 | 42.7 | |
| DN40 | 1-1/2" | 152 | 160 | 248 | 13 | 48.8 | |
| DN50 | 2" | 172 | 220 | 282 | 16.5 | 61.2 | |

| DIMENSIONS | | | | | | | unit : inch |
|------------|--------|------|------|-------|------|------|-------------|
| SIZE | PORT | L | ØE | H | L2 | ØD | |
| DN8 | 1/4" | 3.11 | 3.94 | 6.34 | 0.39 | 0.56 | |
| DN10 | 3/8" | 3.11 | 3.94 | 6.34 | 0.39 | 0.69 | |
| DN15 | 1/2" | 3.11 | 3.94 | 6.34 | 0.39 | 0.86 | |
| DN20 | 3/4" | 3.62 | 3.94 | 6.34 | 0.51 | 1.07 | |
| DN25 | 1" | 4.37 | 4.72 | 7.60 | 0.51 | 1.33 | |
| DN32 | 1-1/4" | 4.72 | 6.30 | 9.06 | 0.51 | 1.68 | |
| DN40 | 1-1/2" | 5.98 | 6.30 | 9.76 | 0.51 | 1.92 | |
| DN50 | 2" | 6.77 | 8.66 | 11.10 | 0.65 | 2.41 | |

FGT-800

Forged Gate Valve

ANSI Class 800
Threaded (NPT) End

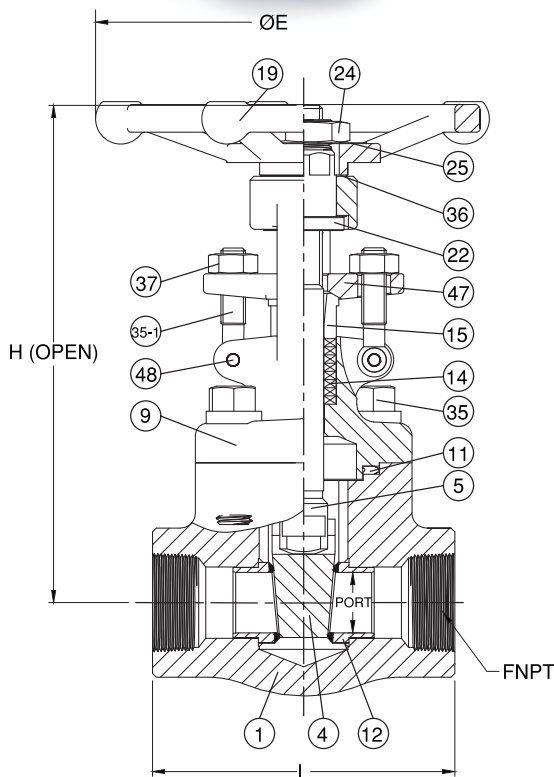


Design Feature

- Design as per API 602
- API 624 Certified in USA
- 1/4" - 2" (DN8 - DN50)
- Bolted Bonnet Design (Option: Welded Bonnet)
- Rising Stem
- Non-Rising Handwheel
- O.S. & Yoke / Solid Wedge
- End Connection : NPT Threaded End



API624 is the Fugitive Emission standard for Multi-Turn Valves which guides the design with Graphite or API622 Packing to a maximum 100 ppm FE using Methane gas.



MATERIALS

| NO. | PART NAME | MATERIAL |
|------|----------------|-----------------------------|
| 1 | BODY | A105N |
| 4 | WEDGE | ASTM A276 GR.420 |
| 5 | STEM | ASTM A276 GR.410 |
| 9 | BONNET | A105N |
| 11 | GASKET | SS304+GRAPHITE |
| 12 | SEAT RING | ASTM A276 GR.410 + STELLITE |
| 14 | PACKING | GRAPHITE |
| 15 | GLAND | ASTM A276 GR.420 |
| 19 | HANDWHEEL | A197 |
| 22 | STEM NUT | ASTM A276 GR.410 |
| 24 | HANDWHEEL NUT | A108 1020 |
| 25 | NAME PLATE | ALUMINUM |
| 25 | BONNET BOLT | ASTM A193 GR.B7 |
| 35-1 | GLAND BOLT | ASTM A193 GR.B7 |
| 36 | WASHER | ASTM A276 GR.410 |
| 37 | NUT | ASTM A194 GR.2H |
| 47 | GLAND FLANGE | A105N |
| 48 | GLAND BOLT PIN | ASTM A276 GR.304 |

| DIMENSIONS | | | | | | | unit : mm |
|------------|--------|-----|-----|-----|--------|--|-----------|
| SIZE | PORT | L | ØE | H | FNPT | | |
| DN8 | 1/4" | 79 | 100 | 157 | 1/4" | | |
| DN10 | 3/8" | 79 | 100 | 157 | 3/8" | | |
| DN15 | 1/2" | 79 | 100 | 157 | 1/2" | | |
| DN20 | 3/4" | 92 | 100 | 157 | 3/4" | | |
| DN25 | 1" | 111 | 120 | 185 | 1" | | |
| DN32 | 1-1/4" | 120 | 160 | 226 | 1-1/4" | | |
| DN40 | 1-1/2" | 120 | 160 | 241 | 1-1/2" | | |
| DN50 | 2" | 140 | 220 | 273 | 2" | | |

| DIMENSIONS | | | | | | | unit : inch |
|------------|--------|------|------|-------|--------|--|-------------|
| SIZE | PORT | L | ØE | H | FNPT | | |
| DN8 | 1/4" | 3.11 | 3.94 | 6.18 | 1/4" | | |
| DN10 | 3/8" | 3.11 | 3.94 | 6.18 | 3/8" | | |
| DN15 | 1/2" | 3.11 | 3.94 | 6.18 | 1/2" | | |
| DN20 | 3/4" | 3.62 | 3.94 | 6.18 | 3/4" | | |
| DN25 | 1" | 4.37 | 4.72 | 7.28 | 1" | | |
| DN32 | 1-1/4" | 4.72 | 6.30 | 8.90 | 1-1/4" | | |
| DN40 | 1-1/2" | 4.72 | 6.30 | 9.49 | 1-1/2" | | |
| DN50 | 2" | 5.51 | 8.66 | 10.75 | 2" | | |

FGT-800

Forged Gate Valve

ANSI Class 800
Socket Weld End

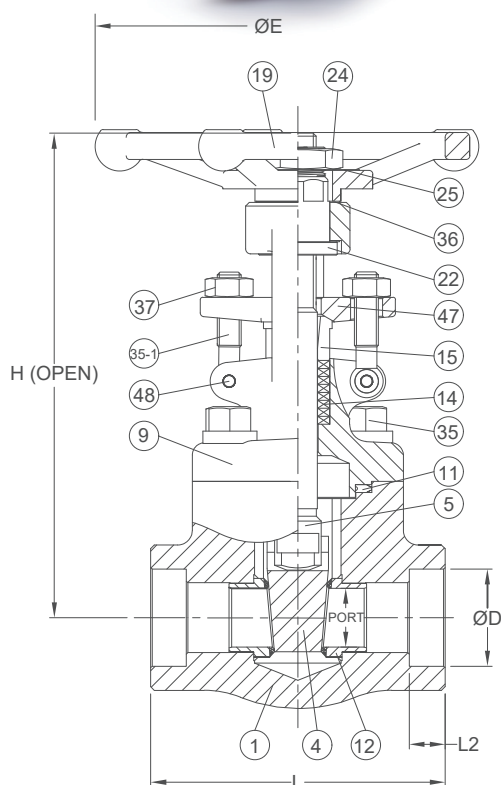


Design Feature

- Design as per API 602
- API 624 Certified in USA
- 1/4" - 2" (DN8 - DN50)
- Bolted Bonnet Design (Option: Welded Bonnet)
- Rising Stem
- Non-Rising Handwheel
- O.S. & Yoke / Solid Wedge
- End Connection : Socket Weld End



API624 is the Fugitive Emission standard for Multi-Turn Valves which guides the design with Graphite or API622 Packing to a maximum 100 ppm FE using Methane gas.



MATERIALS

| NO. | PART NAME | MATERIAL |
|------|----------------|-----------------------------|
| 1 | BODY | A105N |
| 4 | WEDGE | ASTM A276 GR.420 |
| 5 | STEM | ASTM A276 GR.410 |
| 9 | BONNET | A105N |
| 11 | GASKET | SS304+GRAPHITE |
| 12 | SEAT RING | ASTM A276 GR.410 + STELLITE |
| 14 | PACKING | GRAPHITE |
| 15 | GLAND | ASTM A276 GR.420 |
| 19 | HANDWHEEL | A197 |
| 22 | STEM NUT | ASTM A276 GR.410 |
| 24 | HANDWHEEL NUT | A108 1020 |
| 25 | NAME PLATE | ALUMINUM |
| 25 | BONNET BOLT | ASTM A193 GR.B7 |
| 35-1 | GLAND BOLT | ASTM A193 GR.B7 |
| 36 | WASHER | ASTM A276 GR.410 |
| 37 | NUT | ASTM A194 GR.2H |
| 47 | GLAND FLANGE | A105N |
| 48 | GLAND BOLT PIN | ASTM A276 GR.304 |

| DIMENSIONS | | | | | | | unit : mm | |
|------------|--------|-----|-----|-----|------|------|-----------|--|
| SIZE | PORT | L | ØE | H | L2 | ØD | | |
| DN8 | 1/4" | 79 | 100 | 157 | 10 | 14.2 | | |
| DN10 | 3/8" | 79 | 100 | 157 | 10 | 17.6 | | |
| DN15 | 1/2" | 79 | 100 | 157 | 10 | 21.8 | | |
| DN20 | 3/4" | 92 | 100 | 157 | 13 | 27.2 | | |
| DN25 | 1" | 111 | 120 | 185 | 13 | 33.9 | | |
| DN32 | 1-1/4" | 120 | 160 | 226 | 13 | 42.7 | | |
| DN40 | 1-1/2" | 120 | 160 | 241 | 13 | 48.8 | | |
| DN50 | 2" | 140 | 220 | 273 | 16.5 | 61.2 | | |

| DIMENSIONS | | | | | | | unit : inch | |
|------------|--------|------|------|-------|------|------|-------------|--|
| SIZE | PORT | L | ØE | H | L2 | ØD | | |
| DN8 | 1/4" | 3.11 | 3.94 | 6.18 | 0.39 | 0.56 | | |
| DN10 | 3/8" | 3.11 | 3.94 | 6.18 | 0.39 | 0.69 | | |
| DN15 | 1/2" | 3.11 | 3.94 | 6.18 | 0.39 | 0.86 | | |
| DN20 | 3/4" | 3.62 | 3.94 | 6.18 | 0.51 | 1.07 | | |
| DN25 | 1" | 4.37 | 4.72 | 7.28 | 0.51 | 1.33 | | |
| DN32 | 1-1/4" | 4.72 | 6.30 | 8.90 | 0.51 | 1.68 | | |
| DN40 | 1-1/2" | 4.72 | 6.30 | 9.49 | 0.51 | 1.92 | | |
| DN50 | 2" | 5.51 | 8.66 | 10.75 | 0.65 | 2.41 | | |